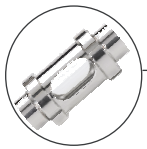




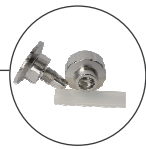
Block tank flanges available with small or large flange plates or sight glasses designed for hygienic processing applications.

- Optimum internal design with protected o-ring seal
- Controlled compression of o-ring seal
- Fully traceable materials
- Suitable for CIP and SIP processes

Hygienic Processing Components.....



Type BBS-3F
Flow Indicators



Type BBS-04
Hose Systems



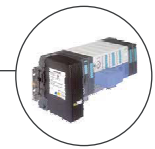
Type BBS-10
Ball Check Valves



Type 2103
Diaphragm Valve



Type 8221
Conductivity



Type 8650
Process Automation

These tank flanges are according to standard flange design and are manufactured with sterile applications firmly in the mind. They are available in virtually all sizes, standards and configurations which means you can choose from flange plates or a sight glass option. In addition we can offer versions with lamps for illuminating the inside of the tank, protective gauze for additional security or even customized materials for special applications.

The design incorporates use of a standard dimension o-ring which gives flexibility of material choice.

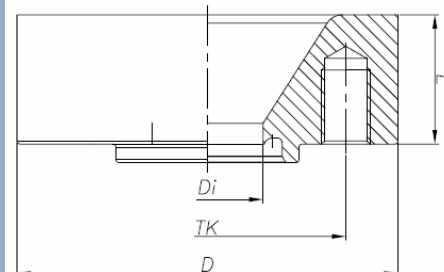
Optimized design for all hygienic applications.

Technical Overview	
Available Sizes Standards	ISO DN08 to DN400 SMS DN15 to DN 100 BS-OD DN3/4" to DN8" DIN DN08 to DN300 Custom sizes/design On Request
Materials	1.4435 BN2 St/St, 316L Borosilcate Glass EPDM o-ring Special materials On Request
Surface Finish	≤ 0.8Ra Standard Internal Finish Higher quality finish available On Request
Working Pressure	-1 to + 8 Bar Standard. Higher pressures possible upon request.
Process Temperature	According to sealing material < 140 Degrees C
Ambient Temperature	-20 to + 80 Degrees C
Media	Gases or Liquids
Certification Available	Full Material Traceability, FDA, USP

ISO Sterile Tank Flange / 316 Stainless Steel

Size	D mm	TK mm	Di mm	L mm	BBS Item Key (Part No: EPDM)	BBS Item Key (Part No: FEP)
DN08	65.00	45.00	10.30	20.00	BBS-07-ZD.Z08.Z00.35.0 (733648)	BBS-07-ZD.Z08.Z00.35.3 (On Request)
DN10	80.00	55.00	14.00	25.00	BBS-07-ZD.Z10.Z00.35.0 (733651)	BBS-07-ZD.Z10.Z00.35.3 (On Request)
DN15	80.00	55.00	18.10	25.00	BBS-07-ZD.Z15.Z00.35.0 (733667)	BBS-07-ZD.Z15.Z00.35.3 (On Request)
DN20	85.00	60.00	23.70	25.00	BBS-07-ZD.Z20.Z00.35.0 (733676)	BBS-07-ZD.Z20.Z00.35.3 (On Request)
DN25	90.00	65.00	29.70	25.00	BBS-07-ZD.Z25.Z00.35.0 (733683)	BBS-07-ZD.Z25.Z00.35.3 (On Request)
DN32	100.00	75.00	38.40	32.00	BBS-07-ZD.Z32.Z00.35.0 (733692)	BBS-07-ZD.Z32.Z00.35.3 (On Request)
DN40	110.00	85.00	44.30	32.00	BBS-07-ZD.Z40.Z00.35.0 (733701)	BBS-07-ZD.Z40.Z00.35.3 (On Request)
DN50	125.00	98.00	56.30	32.00	BBS-07-ZD.Z50.Z00.35.0 (733716)	BBS-07-ZD.Z50.Z00.35.3 (On Request)
DN65	155.00	120.00	71.50	38.00	BBS-07-ZD.Z65.Z00.35.0 (733730)	BBS-07-ZD.Z65.Z00.35.3 (On Request)
DN80	170.00	135.00	84.30	38.00	BBS-07-ZD.Z80.Z00.35.0 (733742)	BBS-07-ZD.Z80.Z00.35.3 (On Request)
DN100	200.00	160.00	109.10	38.00	BBS-07-ZD.Z100.Z00.35.0 (733661)	BBS-07-ZD.Z100.Z00.35.3 (On Request)
DN125	220.00	180.00	134.50	38.00	BBS-07-ZA.Z125.Z00.35.0 (733523)	BBS-07-ZA.Z125.Z00.35.3 (On Request)
DN150	260.00	220.00	162.80	38.00	BBS-07-ZA.Z150.Z00.35.0 (On Request)	BBS-07-ZA.Z150.Z00.35.3 (On Request)
DN200	300.00	265.00	213.30	38.00	BBS-07-ZA.Z200.Z00.35.0 (733546)	BBS-07-ZA.Z200.Z00.35.3 (On Request)
DN250	360.00	315.00	267.20	45.00	BBS-07-ZA.Z250.Z00.35.0 (733560)	BBS-07-ZA.Z250.Z00.35.3 (On Request)
DN300	420.00	375.00	317.50	45.00	BBS-07-ZA.Z300.Z00.35.0 (733563)	BBS-07-ZA.Z300.Z00.35.3 (On Request)
DN350	460.00	415.00	349.20	45.00	BBS-07-ZA.Z350.Z00.35.0 (733569)	BBS-07-ZA.Z350.Z00.35.3 (On Request)
DN400	530.00	485.00	400.00	45.00	BBS-07-ZA.Z400.Z00.35.0 (733586)	BBS-07-ZA.Z400.Z00.35.3 (On Request)

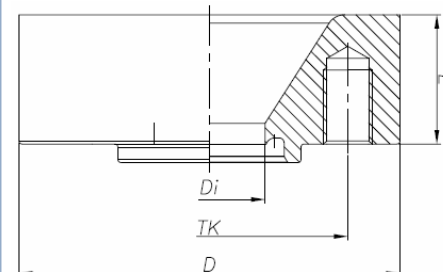
Sterile Block flange



TIS BBS-07 Sterile Tank Flange V00.2010 EN

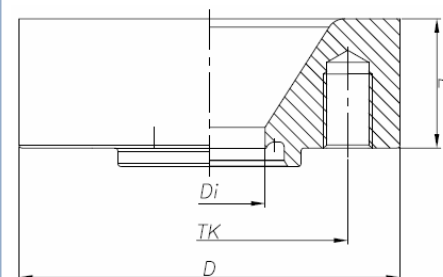
BS-OD Sterile Tank Flange / 316 Stainless Steel						
Size	D mm	TK mm	Di mm	L mm	BBS Item Key (Part No: EPDM)	BBS Item Key (Part No: FEP)
DN1/2"	65.00	45.00	9.40	32.00	BBS-07-ZD.M05.M00.35.0 (On Request)	BBS-07-ZD.M05.M00.35.3 (On Request)
DN3/4"	65.00	45.00	15.75	32.00	BBS-07-ZD.M07.M00.35.0 (On Request)	BBS-07-ZD.M07.M00.35.3 (On Request)
DN1"	80.00	55.00	22.10	32.00	BBS-07-ZD.M10.M00.35.0 (On Request)	BBS-07-ZD.M10.M00.35.3 (On Request)
DN1.1/2"	100.00	75.00	34.80	38.00	BBS-07-ZD.M15.M00.35.0 (On Request)	BBS-07-ZD.M15.M00.35.3 (On Request)
DN2"	110.00	85.00	47.50	38.00	BBS-07-ZD.M20.M00.35.0 (On Request)	BBS-07-ZD.M20.M00.35.3 (On Request)
DN2.1/2"	125.00	98.00	60.20	38.00	BBS-07-ZD.M25.M00.35.0 (On Request)	BBS-07-ZD.M25.M00.35.3 (On Request)
DN3"	155.00	120.00	72.90	38.00	BBS-07-ZD.M30.M00.35.0 (On Request)	BBS-07-ZD.M30.M00.35.3 (On Request)
DN4"	200.00	160.00	97.38	38.00	BBS-07-ZD.M40.M00.35.0 (On Request)	BBS-07-ZD.M40.M00.35.3 (On Request)
DN6"	260.00	220.00	148.18	38.00	BBS-07-ZA.M50.M00.35.0 (On Request)	BBS-07-ZA.M50.M00.35.3 (On Request)
DN8"	On Request				BBS-07-ZA.M80.M00.35.0 (On Request)	BBS-07-ZA.M80.M00.35.3 (On Request)

Sterile Block flange



SMS Sterile Tank Flange / 316 Stainless Steel						
Size	D mm	TK mm	Di mm	L mm	BBS Item Key (Part No: EPDM)	BBS Item Key (Part No: FEP)
DN15	65.00	45.00	16.00	25.00	BBS-07-ZD.β15.β00.35.0 (On Request)	BBS-07-ZD.β15.β00.35.3 (On Request)
DN20	80.00	55.00	20.00	25.00	BBS-07-ZD.β20.β00.35.0 (On Request)	BBS-07-ZD.β20.β00.35.3 (On Request)
DN25	85.00	60.00	22.60	25.00	BBS-07-ZD.β25.β00.35.0 (On Request)	BBS-07-ZD.β25.β00.35.3 (On Request)
DN32	90.00	65.00	29.60	32.00	BBS-07-ZD.β32.β00.35.0 (On Request)	BBS-07-ZD.β32.β00.35.3 (On Request)
DN40	100.00	75.00	35.60	32.00	BBS-07-ZD.β40.β00.35.0 (On Request)	BBS-07-ZD.β40.β00.35.3 (On Request)
DN50	110.00	85.00	48.60	32.00	BBS-07-ZD.β50.β00.35.0 (On Request)	BBS-07-ZD.β50.β00.35.3 (On Request)
DN65	125.00	98.00	60.30	38.00	BBS-07-ZD.β65.β00.35.0 (On Request)	BBS-07-ZD.β65.β00.35.3 (On Request)
DN80	155.00	120.00	72.90	38.00	BBS-07-ZD.β80.β00.35.0 (On Request)	BBS-07-ZD.β80.β00.35.3 (On Request)
DN100	200.00	160.00	97.60	38.00	BBS-07-ZD.β100.β00.35.0 (On Request)	BBS-07-ZD.β100.β00.35.3 (On Request)

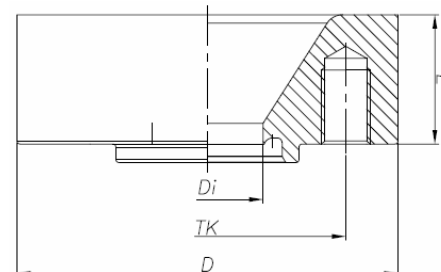
Sterile Block flange



DIN Sterile Tank Flange / 316 Stainless Steel

Size	D mm	TK mm	Di mm	L mm	BBS Item Key (Part No: EPDM)	BBS Item Key (Part No: FEP)
DN15	65.00	45.00	16.00	25.00	BBS-07-ZD.F15.F00.35.0 (On Request)	BBS-07-ZD.F15.F00.35.3 (On Request)
DN20	80.00	55.00	20.00	25.00	BBS-07-ZD.F20.F00.35.0 (On Request)	BBS-07-ZD.F20.F00.35.3 (On Request)
DN25	85.00	60.00	26.00	25.00	BBS-07-ZD.F25.F00.35.0 (On Request)	BBS-07-ZD.F25.F00.35.3 (On Request)
DN32	90.00	65.00	32.00	32.00	BBS-07-ZD.F32.F00.35.0 (On Request)	BBS-07-ZD.F32.F00.35.3 (On Request)
DN40	100.00	75.00	38.00	32.00	BBS-07-ZD.F40.F00.35.0 (On Request)	BBS-07-ZD.F40.F00.35.3 (On Request)
DN50	110.00	85.00	50.00	32.00	BBS-07-ZD.F50.F00.35.0 (On Request)	BBS-07-ZD.F50.F00.35.3 (On Request)
DN65	155.00	120.00	66.00	38.00	BBS-07-ZD.F65.F00.35.0 (On Request)	BBS-07-ZD.F65.F00.35.3 (On Request)
DN80	170.00	135.00	81.00	38.00	BBS-07-ZD.F80.F00.35.0 (On Request)	BBS-07-ZD.F80.F00.35.3 (On Request)
DN100	200.00	160.00	100.00	38.00	BBS-07-ZD.F100.F00.35.0 (On Request)	BBS-07-ZD.F100.F00.35.3 (On Request)
DN125	220.00	180.00	125.00	38.00	BBS-07-ZA.F125.F00.35.0 (On Request)	BBS-07-ZA.F125.F00.35.3 (On Request)
DN150	260.00	220.00	150.00	38.00	BBS-07-ZA.F150.F00.35.0 (On Request)	BBS-07-ZA.F150.F00.35.3 (On Request)
DN200	On Request				BBS-07-ZA.F200.F00.35.0 (On Request)	BBS-07-ZA.F200.F00.35.3 (On Request)
DN250	On Request				BBS-07-ZA.F250.F00.35.0 (On Request)	BBS-07-ZA.F250.F00.35.3 (On Request)
DN300	On Request				BBS-07-ZA.F300.F00.35.0 (On Request)	BBS-07-ZA.F300.F00.35.3 (On Request)

Sterile Block flange



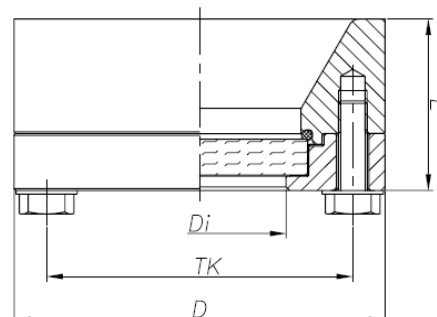
TIS BBS-07 Sterile Tank Flange V00.2010 EN

ISO Sterile Tank Flange with Sight Glass / 316 Stainless Steel

Size	D mm	TK mm	Di mm	L mm	BBS Item Key (Part No: EPDM)	BBS Item Key (Part No: FEP)
DN08	On Request				BBS-07-GB.Z08.Z00.35.0 (On Request)	BBS-07-GB.Z08.Z00.35.3 (On Request)
DN10	On Request				BBS-07-GB.Z10.Z00.35.0 (On Request)	BBS-07-GB.Z10.Z00.35.3 (On Request)
DN15	On Request				BBS-07-GB.Z15.Z00.35.0 (On Request)	BBS-07-GB.Z15.Z00.35.3 (On Request)
DN20	85.00	60.00	23.70	25.00	BBS-07-GB.Z20.Z00.35.0 (On Request)	BBS-07-GB.Z20.Z00.35.3 (On Request)
DN25	90.00	65.00	29.70	25.00	BBS-07-GB.Z25.Z00.35.0 (On Request)	BBS-07-GB.Z25.Z00.35.3 (On Request)
DN32	100.00	75.00	38.40	32.00	BBS-07-GB.Z32.Z00.35.0 (On Request)	BBS-07-GB.Z32.Z00.35.3 (On Request)
DN40	110.00	85.00	44.30	32.00	BBS-07-GB.Z40.Z00.35.0 (On Request)	BBS-07-GB.Z40.Z00.35.3 (On Request)
DN50	125.00	98.00	56.30	32.00	BBS-07-GB.Z50.Z00.35.0 (On Request)	BBS-07-GB.Z50.Z00.35.3 (On Request)
DN65	155.00	120.00	71.50	38.00	BBS-07-GB.Z65.Z00.35.0 (On Request)	BBS-07-GB.Z65.Z00.35.3 (On Request)
DN80	170.00	135.00	84.30	38.00	BBS-07-GB.Z80.Z00.35.0 (On Request)	BBS-07-GB.Z80.Z00.35.3 (On Request)
DN100	200.00	160.00	109.10	38.00	BBS-07-GB.Z100.Z00.35.0 (On Request)	BBS-07-GB.Z100.Z00.35.3 (On Request)
DN125	220.00	180.00	134.50	38.00	BBS-07-GB.Z125.Z00.35.0 (On Request)	BBS-07-GB.Z125.Z00.35.3 (On Request)
DN150	260.00	220.00	162.80	38.00	BBS-07-GB.Z150.Z00.35.0 (On Request)	BBS-07-GB.Z150.Z00.35.3 (On Request)
DN200	300.00	265.00	213.30	38.00	BBS-07-GB.Z200.Z00.35.0 (On Request)	BBS-07-GB.Z200.Z00.35.3 (On Request)
DN250	360.00	315.00	267.20	45.00	BBS-07-GB.Z250.Z00.35.0 (On Request)	BBS-07-GB.Z250.Z00.35.3 (On Request)
DN300	420.00	375.00	317.50	45.00	BBS-07-GB.Z300.Z00.35.0 (On Request)	BBS-07-GB.Z300.Z00.35.3 (On Request)
DN350	460.00	415.00	349.20	45.00	BBS-07-GB.Z350.Z00.35.0 (On Request)	BBS-07-GB.Z350.Z00.35.3 (On Request)
DN400	530.00	485.00	400.00	45.00	BBS-07-GB.Z400.Z00.35.0 (On Request)	BBS-07-GB.Z400.Z00.35.3 (On Request)

TIS BBS-07 Sterile Tank Flange V00.2010 EN

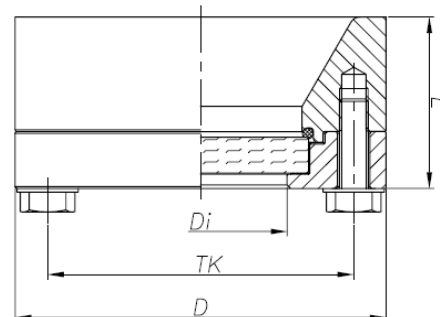
Sterile Flange with Sight Glass



BS-OD Sterile Tank Flange with Sight Glass / 316 Stainless Steel

Size	D mm	TK mm	Di mm	L mm	BBS Item Key (Part No: EPDM)	BBS Item Key (Part No: FEP)
DN1/2"	On Request				BBS-07-GB.M05.M00.35.0 (On Request)	BBS-07-GB.M05.M00.35.3 (On Request)
DN3/4"	65.00	45.00	15.75	32.00	BBS-07-GB.M07.M00.35.0 (On Request)	BBS-07-GB.M07.M00.35.3 (On Request)
DN1"	80.00	55.00	22.10	32.00	BBS-07-GB.M10.M00.35.0 (On Request)	BBS-07-GB.M10.M00.35.3 (On Request)
DN1.1/2"	100.00	75.00	34.80	38.00	BBS-07-GB.M15.M00.35.0 (On Request)	BBS-07-GB.M15.M00.35.3 (On Request)
DN2"	110.00	85.00	47.50	38.00	BBS-07-GB.M20.M00.35.0 (On Request)	BBS-07-GB.M20.M00.35.3 (On Request)
DN2.1/2"	125.00	98.00	60.20	38.00	BBS-07-GB.M25.M00.35.0 (On Request)	BBS-07-GB.M25.M00.35.3 (On Request)
DN3"	155.00	120.00	72.90	38.00	BBS-07-GB.M30.M00.35.0 (On Request)	BBS-07-GB.M30.M00.35.3 (On Request)
DN4"	200.00	160.00	97.38	38.00	BBS-07-GB.M40.M00.35.0 (On Request)	BBS-07-GB.M40.M00.35.3 (On Request)
DN6"	260.00	220.00	148.18	38.00	BBS-07-GB.M50.M00.35.0 (On Request)	BBS-07-GB.M50.M00.35.3 (On Request)
DN8"	On Request				BBS-07-GB.M80.M00.35.0 (On Request)	BBS-07-GB.M80.M00.35.3 (On Request)

Sterile Flange with Sight Glass

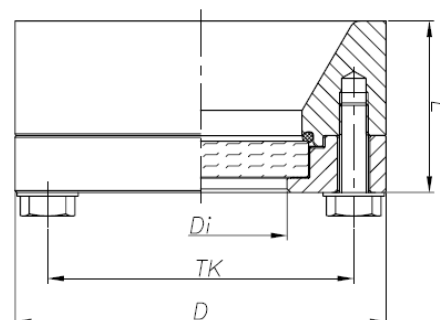


TIS BBS-07 Sterile Tank Flange V00.2010 EN

SMS Sterile Tank Flange with Sight Glass / 316 Stainless Steel

Size	D mm	TK mm	Di mm	L mm	BBS Item Key (Part No: EPDM)	BBS Item Key (Part No: FEP)
DN15	65.00	45.00	16.00	25.00	BBS-07-GB.β15.β00.35.0 (On Request)	BBS-07-GB.β15.β00.35.3 (On Request)
DN20	80.00	55.00	20.00	25.00	BBS-07-GB.β20.β00.35.0 (On Request)	BBS-07-GB.β20.β00.35.3 (On Request)
DN25	85.00	60.00	22.60	25.00	BBS-07-GB.β25.β00.35.0 (On Request)	BBS-07-GB.β25.β00.35.3 (On Request)
DN32	90.00	65.00	29.60	32.00	BBS-07-GB.β32.β00.35.0 (On Request)	BBS-07-GB.β32.β00.35.3 (On Request)
DN40	100.00	75.00	35.60	32.00	BBS-07-GB.β40.β00.35.0 (On Request)	BBS-07-GB.β40.β00.35.3 (On Request)
DN50	110.00	85.00	48.60	32.00	BBS-07-GB.β50.β00.35.0 (On Request)	BBS-07-GB.β50.β00.35.3 (On Request)
DN65	125.00	98.00	60.30	38.00	BBS-07-GB.β65.β00.35.0 (On Request)	BBS-07-GB.β65.β00.35.3 (On Request)
DN80	155.00	120.00	72.90	38.00	BBS-07-GB.β80.β00.35.0 (On Request)	BBS-07-GB.β80.β00.35.3 (On Request)
DN100	200.00	160.00	97.60	38.00	BBS-07-GB.β100.β00.35.0 (On Request)	BBS-07-GB.β100.β00.35.3 (On Request)

Sterile Flange with Sight Glass



DIN Sterile Tank Flange with Sight Glass / 316 Stainless Steel

Size	D mm	TK mm	Di mm	L mm	BBS Item Key (Part No: EPDM)	BBS Item Key (Part No: FEP)
DN15	65.00	45.00	16.00	25.00	BBS-07-GB.F15.F00.35.0 (On Request)	BBS-07-GB.F15.F00.35.3 (On Request)
DN20	80.00	55.00	20.00	25.00	BBS-07-GB.F20.F00.35.0 (On Request)	BBS-07-GB.F20.F00.35.3 (On Request)
DN25	85.00	60.00	26.00	25.00	BBS-07-GB.F25.F00.35.0 (On Request)	BBS-07-GB.F25.F00.35.3 (On Request)
DN32	90.00	65.00	32.00	32.00	BBS-07-GB.F32.F00.35.0 (On Request)	BBS-07-GB.F32.F00.35.3 (On Request)
DN40	100.00	75.00	38.00	32.00	BBS-07-GB.F40.F00.35.0 (On Request)	BBS-07-GB.F40.F00.35.3 (On Request)
DN50	110.00	85.00	50.00	32.00	BBS-07-GB.F50.F00.35.0 (On Request)	BBS-07-GB.F50.F00.35.3 (On Request)
DN65	155.00	120.00	66.00	38.00	BBS-07-GB.F65.F00.35.0 (On Request)	BBS-07-GB.F65.F00.35.3 (On Request)
DN80	170.00	135.00	81.00	38.00	BBS-07-GB.F80.F00.35.0 (On Request)	BBS-07-GB.F80.F00.35.3 (On Request)
DN100	200.00	160.00	100.00	38.00	BBS-07-GB.F100.F00.35.0 (On Request)	BBS-07-GB.F100.F00.35.3 (On Request)
DN125	220.00	180.00	125.00	38.00	BBS-07-GB.F125.F00.35.0 (On Request)	BBS-07-GB.F125.F00.35.3 (On Request)
DN150	260.00	220.00	150.00	38.00	BBS-07-GB.F150.F00.35.0 (On Request)	BBS-07-GB.F150.F00.35.3 (On Request)
DN200	On Request				BBS-07-GB.F200.F00.35.0 (On Request)	BBS-07-GB.F200.F00.35.3 (On Request)
DN250	On Request				BBS-07-GB.F250.F00.35.0 (On Request)	BBS-07-GB.F250.F00.35.3 (On Request)
DN300	On Request				BBS-07-GB.F300.F00.35.0 (On Request)	BBS-07-GB.F300.F00.35.3 (On Request)

TIS BBS-07 Sterile Tank Flange V00.2010 EN

Sterile Flange with Sight Glass

