



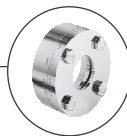
Disc check valve designed for non critical hygienic applications with clamp connection

- Fully traceable materials
- Various process connections available
- Suitable for CIP and SIP
- Excellent performance

Hygienic Processing Components.....



Type BBS-05
Quick Connect



Type BBS-07
Block Flange



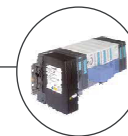
Type BBS-03F
Flow Indicator



Type 2103
Diaphragm Valve



Type 8221
Conductivity



Type 8650
Process Automation

The design of this disc check valve is ideal for applications involving fluids and steam. The simple and yet robust design allows a fast and efficient installation and very little maintenance.

Available in standard design or can also be supplied according to customer specific requests. This valve is recommended for non critical duty in a range of different applications within hygienic processing segment.

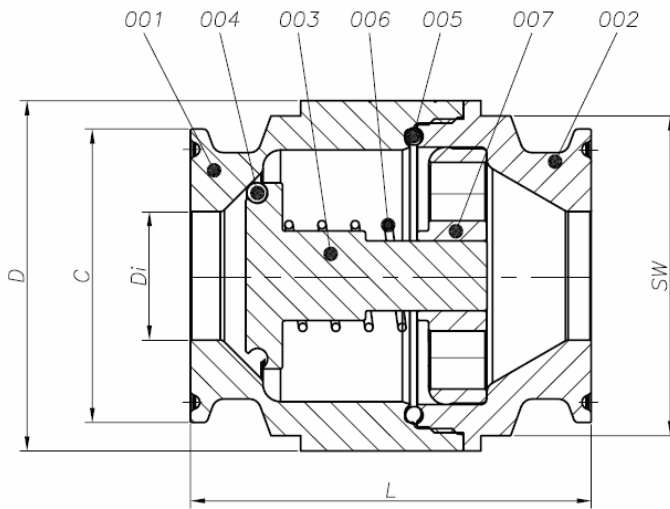
Typical applications in:

- Biotechnology
- Pharmaceutical
- Chemical
- Dairy and Food
- Beverage
- Cosmetic

The standard version has an opening pressure of 0.2 Bar but lower pressures can be realized with alternative spring selection.

Technical Overview	
Available Sizes/Standards	ISO DN08 to DN50 BS-OD DN1/4" to DN2.1/2" DIN 06 to DN50 Others on request
Body Material	Stainless Steel 316L 1.4435 BN2 Special Materials E.g. Hastelloy on request
Disc Material	1.4435 BN2 Stainless Steel
Sealing Material	EPDM or FEP
Process Temperature	-60 to +200 °C
Ambient Temperature	-20 to +80 °C
Media	Gases or Liquids
Media Pressure	-1 to + 16 Bar (working pressure -1 to + 8 Bar)
Certification Available	Material 3.1, FDA, USP VI

TIS BBS-10 Disc Check Valve V00.2010 EN

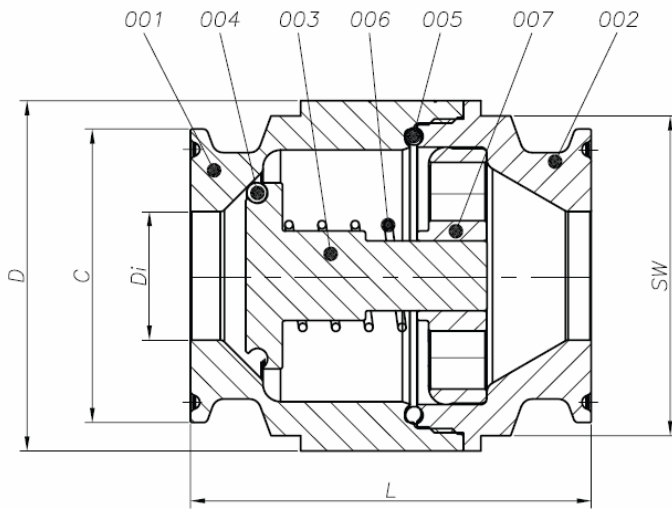


Component Ref:	Description:
001	Plain Ferrule
002	Male Ferrule
003	Disc
004	O-ring
005	O-ring
006	Spring
007	Disc Bearing

TIS BBS-10 Disc Check Valve V00.2010 EN

ISO Dimensions of Disc Check Valve / Clamp Connection							
Size	C mm	Di mm	L mm	D mm	SW mm	BBS Item Key (Item No. EPDM)	BBS Item Key (Item No. FEP)
DN 08	25.00	10.30	62.00	42.40	36.00	BBS-10-RQ.W08.W08.35.0 (On Request)	BBS-10-RQ.W08.W08.35.3 (On Request)
DN 10	25.00	14.00	62.00	42.40	36.00	BBS-10-RQ.W10.W10.35.0 (On Request)	BBS-10-RQ.W10.W10.35.3 (On Request)
DN 15	50.50	18.10	69.00	60.30	55.00	BBS-10-RQ.W15.W15.35.0 (On Request)	BBS-10-RQ.W15.W15.35.3 (On Request)
DN 20	50.50	23.70	69.00	60.30	55.00	BBS-10-RQ.W20.W20.35.0 (On Request)	BBS-10-RQ.W20.W20.35.3 (On Request)
DN 25	50.50	29.70	75.00	70.00	-	BBS-10-RQ.W25.W25.35.0 (On Request)	BBS-10-RQ.W25.W25.35.3 (On Request)
DN 32	64.00	38.40	80.00	85.00	-	BBS-10-RQ.W32.W32.35.0 (On Request)	BBS-10-RQ.W32.W32.35.3 (On Request)
DN 40	64.00	44.30	80.00	96.00	-	BBS-10-RQ.W40.W40.35.0 (On Request)	BBS-10-RQ.W40.W40.35.3 (On Request)
DN 50	77.50	63.50	85.00	96.00	-	BBS-10-RQ.W50.W50.35.0 (On Request)	BBS-10-RQ.W50.W50.35.3 (On Request)

BBS-10
Disc Check Valves

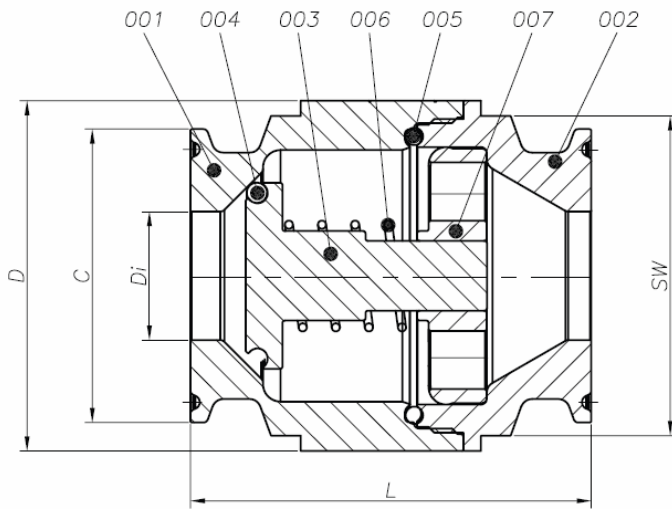


Component Ref:	Description:
001	Plain Ferrule
002	Male Ferrule
003	Disc
004	O-ring
005	O-ring
006	Spring
007	Disc Bearing

TIS BBS-10 Disc Check Valve V00.2010 EN

BS OD Dimensions of Disc Check Valve / Clamp Connection							
Size	C mm	Di mm	L mm	D mm	SW mm	BBS Item Key (Item No. EPDM)	BBS Item Key (Item No. FEP)
DN 1/4"	25.00	4.57	62.00	42.40	36.00	BBS-10-RQ.Y02.Y02.35.0 (On Request)	BBS-10-RQ.Y02.Y02.35.3 (On Request)
DN 3/8"	25.00	7.74	62.00	42.40	36.00	BBS-10-RQ.Y03.Y03.35.0 (On Request)	BBS-10-RQ.Y03.Y03.35.3 (On Request)
DN 1/2"	25.00	9.40	62.00	42.40	36.00	BBS-10-RQ.Y05.Y05.35.0 (On Request)	BBS-10-RQ.Y05.Y05.35.3 (On Request)
DN 3/4"	50.50	15.75	62.00	42.40	36.00	BBS-10-RQ.Y07.Y07.35.0 (On Request)	BBS-10-RQ.Y07.Y07.35.3 (On Request)
DN 1"	50.50	22.10	69.00	60.30	55.00	BBS-10-RQ.Y10.Y10.35.0 (On Request)	BBS-10-RQ.Y10.Y10.35.3 (On Request)
DN 1.1/2"	50.50	38.10	75.00	70.00	-	BBS-10-RQ.Y15.Y15.35.0 (On Request)	BBS-10-RQ.Y15.Y15.35.3 (On Request)
DN 2"	64.00	50.80	85.00	85.00	-	BBS-10-RQ.Y20.Y20.35.0 (On Request)	BBS-10-RQ.Y20.Y20.35.3 (On Request)
DN 2.1/2"	64.00	63.50	96.00	96.00	-	BBS-10-RQ.Y25.Y25.35.0 (On Request)	BBS-10-RQ.Y25.Y25.35.3 (On Request)

BBS-10
Disc Check Valves



Component Ref:	Description:
001	Plain Ferrule
002	Male Ferrule
003	Disc
004	O-ring
005	O-ring
006	Spring
007	Disc Bearing

TIS BBS-10 Disc Check Valve V00.2010 EN

ISO Dimensions of Disc Check Valve / Clamp Connection							
Size	C mm	Di mm	L mm	D mm	SW mm	BBS Item Key (Item No. EPDM)	BBS Item Key (Item No. FEP)
DN 06	25.00	6.00	62.00	42.40	36.00	BBS-10-RQ.V06.V06.35.0 (On Request)	BBS-10-RQ.V06.V06.35.3 (On Request)
DN 08	25.00	8.00	62.00	42.40	36.00	BBS-10-RQ.V08.V08.35.0 (On Request)	BBS-10-RQ.V08.V08.35.3 (On Request)
DN 10	34.00	10.00	62.00	42.40	36.00	BBS-10-RQ.V10.V10.35.0 (On Request)	BBS-10-RQ.V10.V10.35.3 (On Request)
DN 15	34.00	16.00	69.00	60.30	55.00	BBS-10-RQ.V15.V15.35.0 (On Request)	BBS-10-RQ.V15.V15.35.3 (On Request)
DN 20	34.00	20.00	69.00	60.30	55.00	BBS-10-RQ.V20.V20.35.0 (On Request)	BBS-10-RQ.V20.V20.35.3 (On Request)
DN 25	50.50	26.00	75.00	70.00	-	BBS-10-RQ.V25.V25.35.0 (On Request)	BBS-10-RQ.V25.V25.35.3 (On Request)
DN 32	64.00	32.00	80.00	85.00	-	BBS-10-RQ.V32.V32.35.0 (On Request)	BBS-10-RQ.V32.V32.35.3 (On Request)
DN 40	64.00	38.00	80.00	96.00	-	BBS-10-RQ.V40.V40.35.0 (On Request)	BBS-10-RQ.V40.V40.35.3 (On Request)
DN 50	77.50	50.00	85.00	96.00	-	BBS-10-RQ.V50.V50.35.0 (On Request)	BBS-10-RQ.V50.V50.35.3 (On Request)