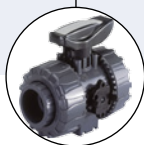




## Polyamide actuator, rack & pinion type for quarter turn valves

- Actuator for quarter turn ball & butterfly valves
- For strong chemical environments
- Single & double acting units, torque to 165 Nm
- Cataphoresis coated springs & clips

PA actuator to assemble with...



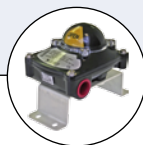
**Type 265y**

PVC ball valve



**Type 2671**

PVC butterfly valve



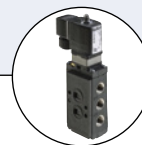
**Switchbox**

Feedback & position indicator



**Type 8791**

Digital positioner, basic



**Type 6519 Namur**

Direct mount pilot valve



**Type 2658**

Assembly of PVC valve & PA actuator

The Bürkert polyamide rack and pinion actuator is highly resistant for chemical environments. These actuators are therefore indicated for strong chemical areas.

Polyamide throughout, the actuator is well suited to mounting with a PVC ball or butterfly valve. Such combinations offer significant logistical benefits due to the relatively low weight.

Accessories including limit switches, direct mount pilot valves, positioners and manual override

Ideal for use in chemical environments and where benefits of relatively low weight will be seen (where conditions allow).

### Technical data, "Table, title 7.5"

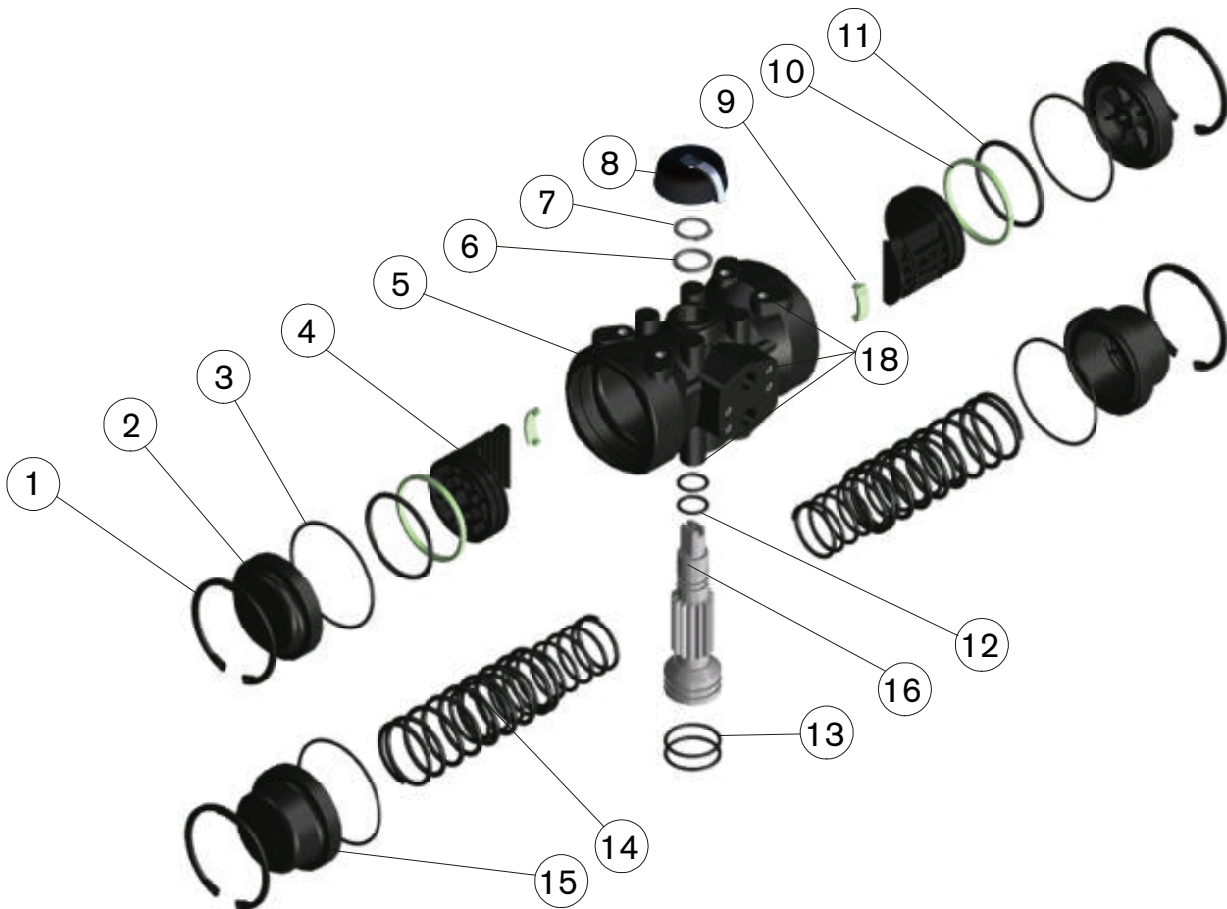
|                          |  |
|--------------------------|--|
| <b>Body material</b>     | Polyamide; cataphoresis coated springs & clips [see chart over page] |
| <b>Media Temperature</b> | -32°C to 90°C (for extended periods; higher on request)              |
| <b>Pilot pressure</b>    | up to 8bar<br>Pilot with compressed air                              |
| <b>Function</b>          | Single and double acting   |
| <b>Torque</b>            | DA 17Nm to 165.5Nm (@ 6 bar)<br>SR 6.5 - 103.3Nm (final)             |
| <b>Mounting</b>          | ISO-5211, DIN-3337, VDE-3845, NAMUR flange                           |
| <b>Certification</b>     | PED Directive 97-23-EC, ATEX Directive                               |

### Applications

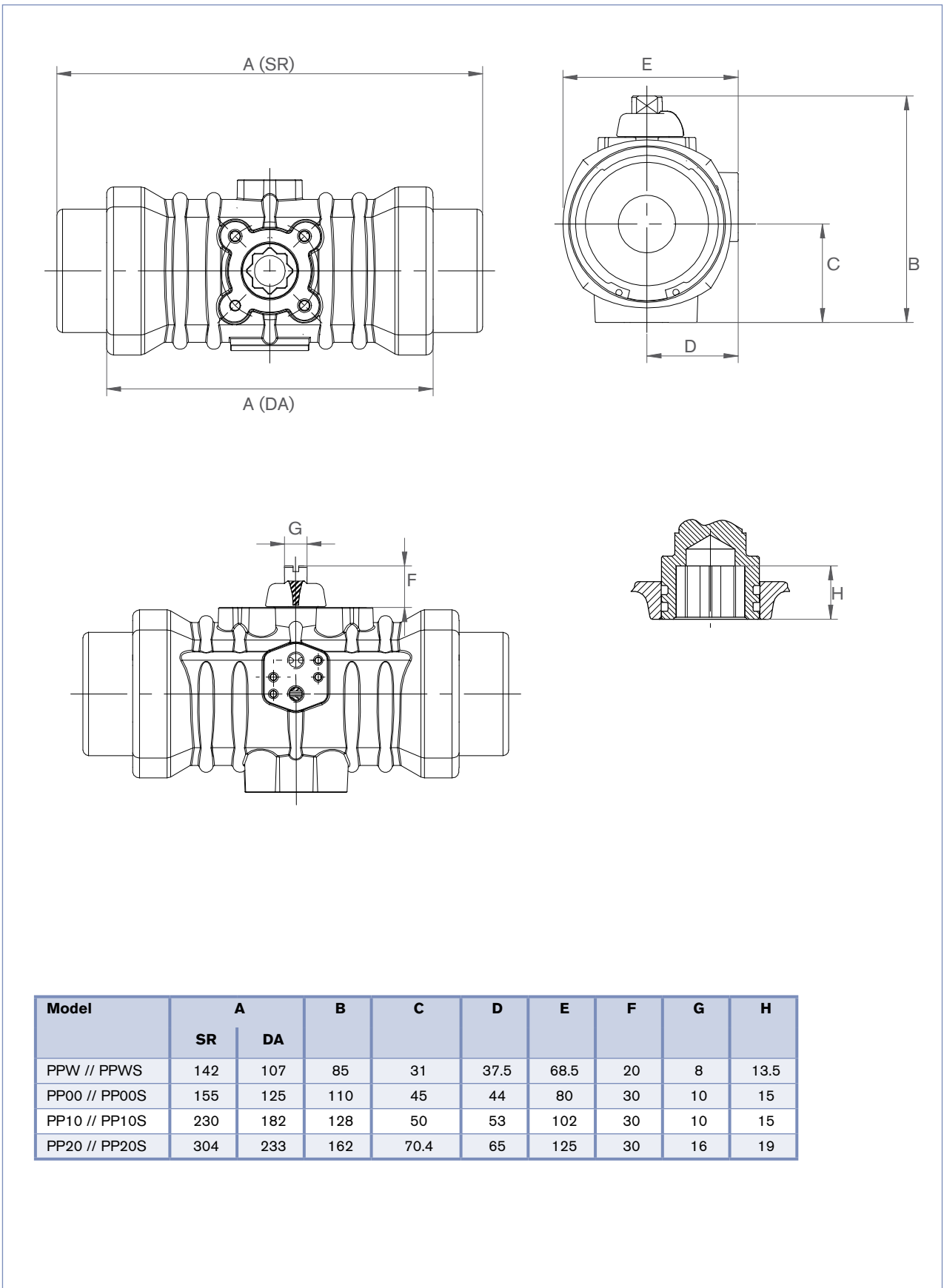
- Chemical environments
- Water treatment
- General purpose

Materials

| Item | Description               | Material                          |
|------|---------------------------|-----------------------------------|
| 1    | Spring Clip               | Steel (Cataphoresis coated)       |
| 2    | Double Acting Cap         | PA / FV PA / FG                   |
| 3    | Cap O-ring                | NBR                               |
| 4    | Piston                    | PA                                |
| 5    | Cylinder                  | PA / FV PA / FG                   |
| 6    | Washer                    | PA                                |
| 7    | Spring Clip               | Stainless Steel                   |
| 8    | Visual Position Indicator | PA                                |
| 9    | Piston Guide              | PA                                |
| 10   | Guide Ring                | PA                                |
| 11   | Piston O-ring             | NBR                               |
| 12   | O-ring                    | NBR                               |
| 13   | O-ring                    | NBR                               |
| 14   | Springs Set               | DIN-17223-C (Cataphoresis coated) |
| 15   | Spring Return Cap         | PA / FV PA / FG                   |
| 16   | Shaft                     | Stainless Steel                   |
| 17   | Thread Inserts            | Stainless Steel                   |



Dimensions



| Model         | A   |     | B   | C    | D    | E    | F  | G  | H    |
|---------------|-----|-----|-----|------|------|------|----|----|------|
|               | SR  | DA  |     |      |      |      |    |    |      |
| PPW // PPWS   | 142 | 107 | 85  | 31   | 37.5 | 68.5 | 20 | 8  | 13.5 |
| PP00 // PP00S | 155 | 125 | 110 | 45   | 44   | 80   | 30 | 10 | 15   |
| PP10 // PP10S | 230 | 182 | 128 | 50   | 53   | 102  | 30 | 10 | 15   |
| PP20 // PP20S | 304 | 233 | 162 | 70.4 | 65   | 125  | 30 | 16 | 19   |

**Technical information**

---

**Cycle times**

| Model     | Cycle time (seconds) |       | Weight [Kg] | Capacity [Litres] |       |
|-----------|----------------------|-------|-------------|-------------------|-------|
|           | Open                 | Close |             | Open              | Close |
| PPW (DA)  | 0.1                  | 0.1   | 0.33        | 0.075             | 0.05  |
| PPW (SR)  | 0.15                 | 0.15  | 0.47        | 0.075             |       |
| PP00 (DA) | 0.15                 | 0.15  | 0.76        | 0.15              | 0.1   |
| PP00 (SR) | 0.2                  | 0.2   | 1.03        | 0.15              |       |
| PP10 (DA) | 0.25                 | 0.25  | 1.41        | 0.35              | 0.32  |
| PP10 (SR) | 0.3                  | 0.3   | 2.15        | 0.35              |       |
| PP20 (DA) | 0.4                  | 0.4   | 2.94        | 0.8               | 0.7   |
| PP20 (SR) | 0.5                  | 0.5   | 4.95        | 0.8               |       |

**Double acting actuator**

| Model     | Bar | 3    | 4    | 5     | 6     | 7     | 8    |
|-----------|-----|------|------|-------|-------|-------|------|
| PPW (DA)  | Nm  | 7.9  | 11.3 | 14.1  | 17    | 19.8  | 22.9 |
| PPOO (DA) | Nm  | 11.6 | 16.1 | 20.5  | 25    | 29.5  | 33.9 |
| PP10 (DA) | Nm  | 32.9 | 45.6 | 58.3  | 71    | 83.7  | 96.4 |
| PP20 (DA) | Nm  | 77.7 | 107  | 136.3 | 165.5 | 194.8 | 224  |

**Spring return actuator, four-spring models only (data for 1, 2, 3 springs on request)**

| Unit size | Spring Torques |      | Air torque at indicated pressure, Nm |     |         |      |         |      |         |      |         |       |
|-----------|----------------|------|--------------------------------------|-----|---------|------|---------|------|---------|------|---------|-------|
|           |                |      | 4                                    |     | 5       |      | 6       |      | 7       |      | 8       |       |
|           |                |      | Initial                              | End | Initial | End  | Initial | End  | Initial | End  | Initial | End   |
| PP0W (SR) | 10.4           | 6.5  |                                      |     | 7.5     | 3.6  | 10.6    | 6.7  | 13.6    | 9.7  | 16.4    | 12.5  |
| PP00 (SR) | 15.9           | 11.3 |                                      |     | 9.2     | 4.6  | 13.7    | 9.1  | 18.1    | 13.5 | 22.6    | 18.0  |
| PP10 (SR) | 46.6           | 32.3 |                                      |     | 26      | 11.7 | 38.7    | 24.4 | 51.4    | 37.1 | 64.1    | 49.8  |
| PP20 (SR) | 103.3          | 64.2 |                                      |     | 72.1    | 33.0 | 101.3   | 62.2 | 130.6   | 91.5 | 159.8   | 120.7 |

**Ordering chart**

---

Contact Bürkert; on request

Call 1300 888 868 (Australia) or 0800 BURKERT (NZ)