



Rotary vane double acting actuator for quarter turn valves

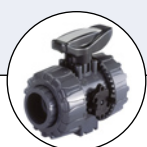
- Actuator for quarter turn ball & butterfly valves
- Simple design with few moving parts
- ISO & Namur mounting, inc. dual female drives
- Double acting, torque to 621Nm

Rotary vane actuator to assemble with...



Type 2654

Stainless steel ball valve



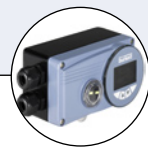
Type 2657

Sanitary, high polish butterfly valve



Type 2671

Sanitary, high polish butterfly valve



Type 8792

Digital positioner



SS hood

Protects actuator with positioner

This Bürkert rotary vane pneumatic actuator offers a different construction and function to rack & pinion models. Offered by Bürkert in double acting type, this actuator is carefully matched to specific applications for best result. The actuators are indicated for modulating control and incorporate direct mounting pads for Bürkert quarter turn positioners.

Rotary vane style actuators are constructed with few parts and fewer moving parts. Correctly specified, these actuators avoid hysteresis (and resultant motion errors).

Stroke adjustment (max/min) is standard and a modular range of accessories including limit switches, direct mount pilot valves, positioners and manual override are available.

* The rotary vane actuator (DA) supports dual ISO, allowing both sides of the actuator to operate quarter turn valves.

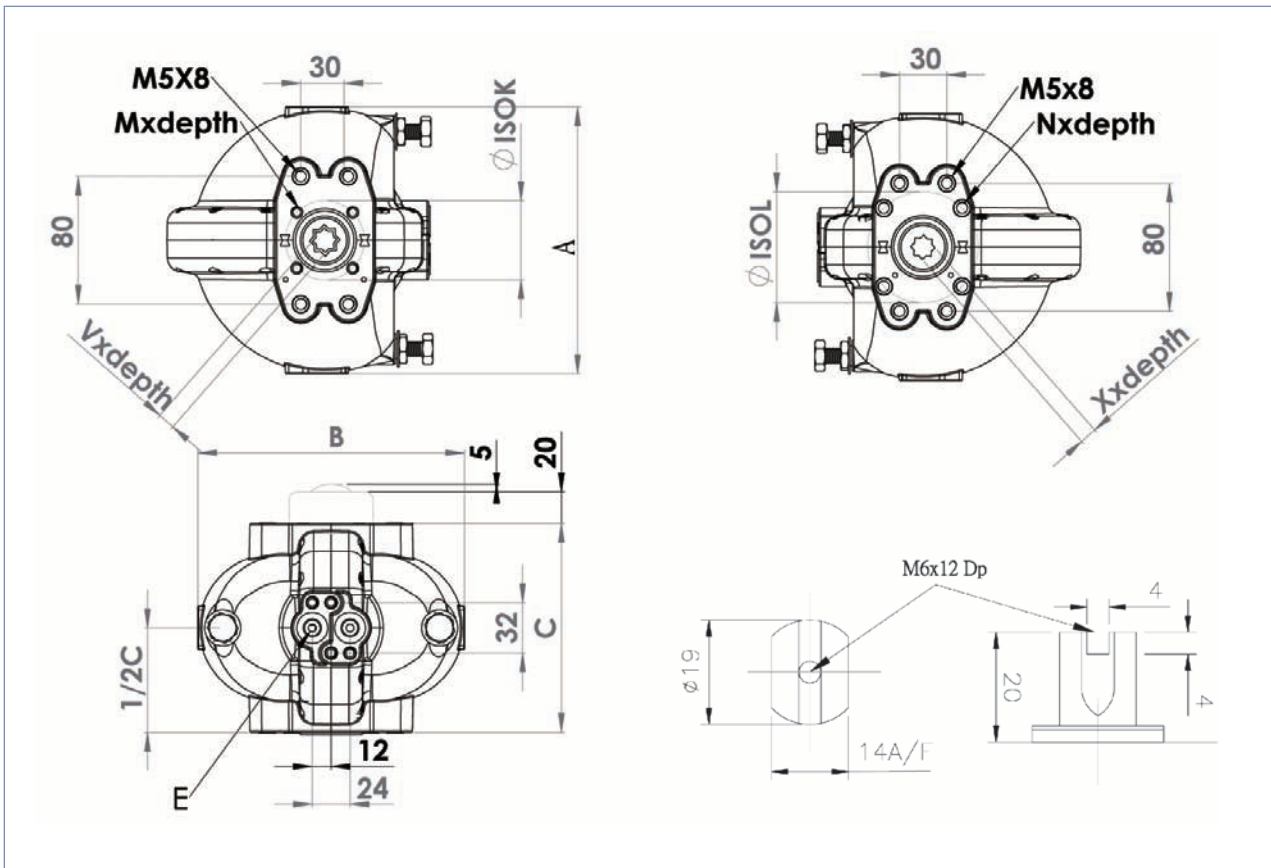
Technical data

Body material	Body: High corrosion resistance glass reinforced polyamide composite material Vane: Aluminum alloy Seal: Polyurethane [Aluminium body version available]
Media Temperature	-20°C to 75°C
Pilot pressure	up to 8bar
Function	Double acting
Torque	7.8 to 621Nm
Mounting specifications	
Actuator-Valve interface	4 or 8 female threads and 1 drive pinion on both top and bottom of actuator according to EN ISO5211
Actuator-Controller interface	Namur VDI/VDE 3845; stainless steel thread inserts

Applications

- General manufacturing
- Modulating control applications
- Fine control applications

Dimensions [mm]



Model by Torque, Nm @ 6 bar	A	B	C	E	Ø ISO K	M x depth	V x depth	Ø ISO L	N x depth	X x depth
7.8	101.00	106.00	78.00	1/8"	Ø36/F03	M5x8	9x13	Ø42/F04	M5x8	11x14
19.1	127.50	126.50	79.50	1/4"	Ø36/F03	M5x8	9x13	Ø42/F04	M5x8	11x14
30.5	144.60	144.20	110.00	1/4"	Ø42/F04	M5x8	11x14	Ø50/F05	M6x9	14x18
65.3	169.60	167.00	132.70	1/4"	Ø50/F05	M6x9	14x18	Ø70/F07	M8x12	17x21
141.8	219.90	191.57	132.70	1/4"	Ø50/F05	M6x9	14x18	Ø70/F07	M8x12	17x21
251.5	280.00	247.50	141.00	1/4"	Ø70/F07	M8x12	17x21	Ø102/F10	M10x15	22x27
401.5	313.00	281.00	230.80	1/4"	Ø102/F10	M10x20	22x35	Ø125/F12	M10x20	27x35
621.8	364.00	306.00	234.80	1/4"	Ø125/F12	M10x20	22x35	Ø140/F14	M16x24	27x35

Technical information

Actuator weights [kilograms]

Model by Torque, Nm @ 6 bar	Weight [Kg]	
	Aluminium	Composite
7.8	0.76	0.68
19.1	1.12	0.98
30.5	1.70	1.46
65.3	2.82	2.40
141.8	3.32	2.02
251.5	3.80	2.75
401.5	12.38	10.46
621.8	15.12	12.00



Actuator torque output table [bar]

Model by Torque, Nm @ 6 bar	2.8 Bar	3.4 Bar	4.1 Bar	4.8 Bar	5.5 Bar	6.2 Bar	6.9 Bar	7.6 Bar	8.3 Bar
7.8	3.5	4.7	5.8	6.8	7.8	8.9	9.9	11	12
19.1	9.4	11.5	14.1	16.7	19.1	21.6	24.2	26.6	29.2
30.5	15.4	19.3	22.9	26.6	30.5	34.4	38	42.4	46.9
65.3	30.7	38.2	46.8	55.7	65.3	73.6	81.6	89.6	97.5
141.8	65	85	104	123.2	141.8	159.6	179.3	201	219
251.5	126.3	156.7	188.6	220	251.5	283	315.6	346.2	377
401.5	187.8	238.5	292.4	347.4	401.6	458	513	570.2	624.4
621.8	306.3	384.4	461.8	541.6	621.8	698.7	780	857.7	945.1

Ordering information

Contact Bürkert; on request

Call 1300 888 868 (Australia) or 0800 BURKERT (NZ)