

Stainless steel actuator, rack & pinion type

- Actuator for quarter turn ball & butterfly valves
- Withstands highly corrosive environments
- Air or liquid actuated, to 8 bar (15 bar on request)
- Single & double acting units, torque to 470Nm

SS actuator to assemble with...



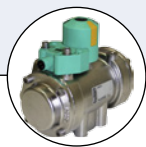
Type 2654

Stainless steel ball valve



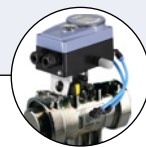
Type 2671

Sanitary, high polish butterfly valve



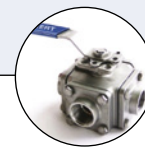
Prox feedback

Also in Ex ia



Type 8792

Digital positioner



Type 2654

Multiport Ball Valve

This Bürkert rack and pinion actuator is stainless steel throughout, for the most extreme and demanding applications and environments.

The stainless steel actuators are made of 316 stainless steel throughout (body, caps, bolts, etc), with internal and external electropolish for heightened resistance to highly corrosive conditions. The actuators are physically heavy.

With stroke adjustment and spring security system standard features, the actuator delivers torques 25 to 470 Nm (direct acting at 6 bar) and is able to water actuated.

Ideal for use in heavy industrial applications, including chemical plants, refineries, mining (underground and processing plants), food & beverage industry (caustic washdown) and any application suitable for 316 stainless steel.

Technical data

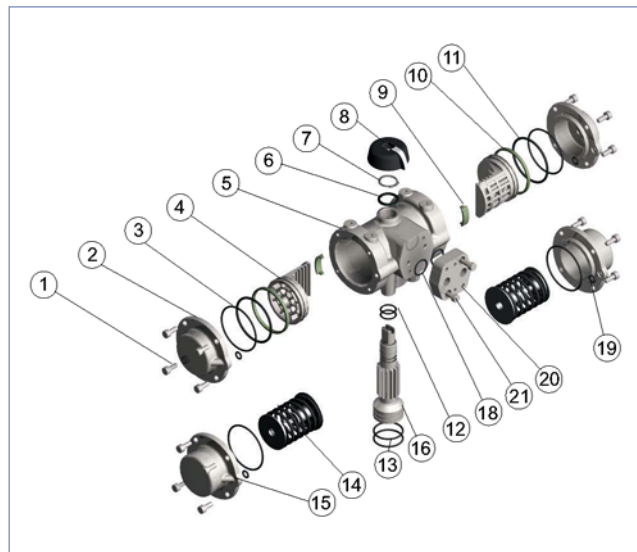
Body material	Stainless steel 316 [see chart over page]
Media Temperature	32°C to 60°C (for extended periods; higher on request)
Pilot pressure	up to 8bar (15 on request)
Function	Single and double acting
Torque	25 to 470Nm
Certification	PED Directive 97-23-EC, ATEX Directive

Applications

- Mining & mineral processing
- Energy sector
- Petrochemical
- Pharmaceutical, food
- Sanitary & dairy processing
- Off-Shore plants, heavy industry

Materials

Item	Description	Material
1	Cap Allen Screw	AISI-316 Stainless Steel
2	Double Acting Cap	CF8M Stainless Steel
3	Cap O-Ring	N.B.R.
4	Piston	Polyarilamide
5	Cylinder	CF8M Stainless Steel
6	Washer	Polyamide
7	Spring Clip	Stainless Steel
8	Position Indicator	Polyamide
9	Piston Guide	Polyacetal
10	Guide Ring	Polyacetal
11	Piston O-Ring	N.B.R.
12	Shaft O-Ring	N.B.R.
13	Shaft O-Ring	N.B.R.
14	Preloaded Springs Set	DIN-17223-C (2) (4)
15	Spring Return Cap	CF8M Stainless Steel
16	Shaft	Stainless Steel AISI-303 (6)
18	Plate O-Ring	N.B.R.
19	Cap O-Ring	N.B.R.
20	Pneumatic Connection Plate	CF8M Stainless Steel
21	Plate Allen Screw	AISI-316 Stainless Steel



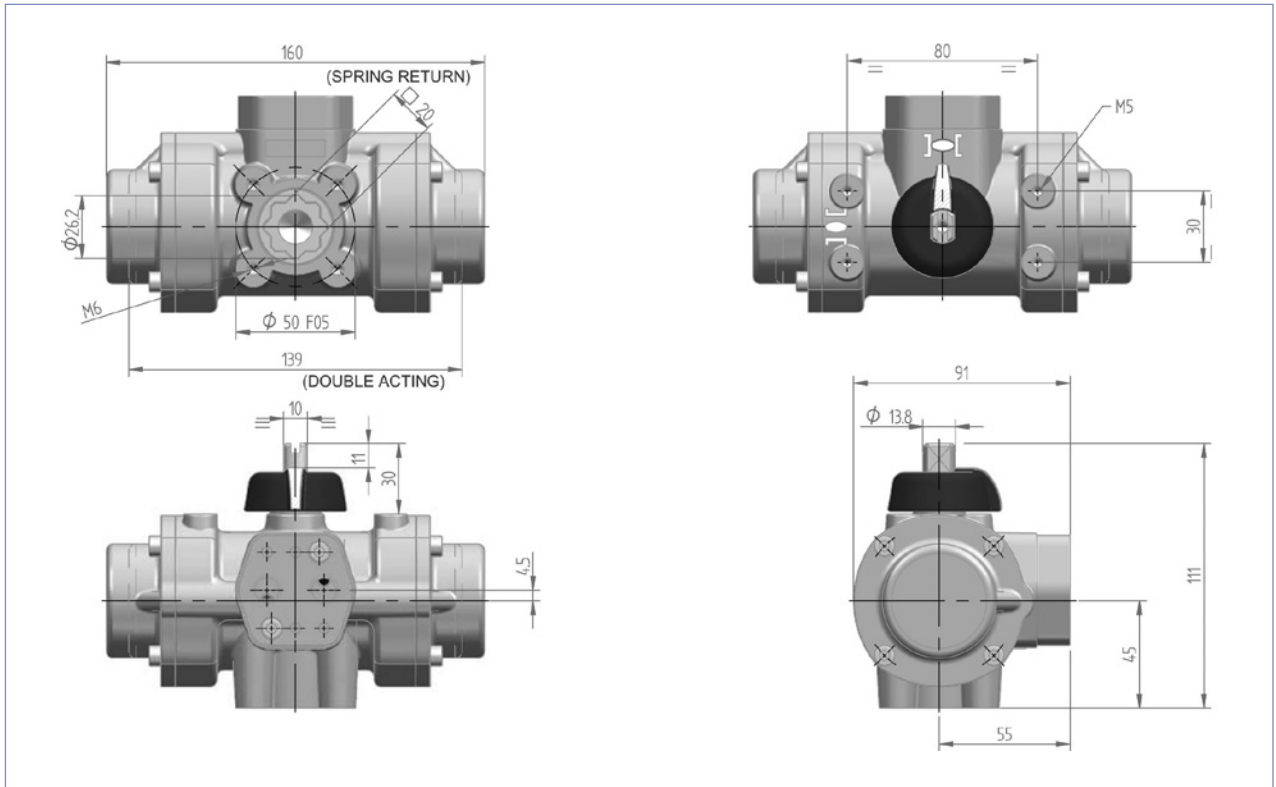
(2) Covered By Cataphoresis

(4) Variable quantity, please see Spring Return torque chart

(6) Option In AISI-316

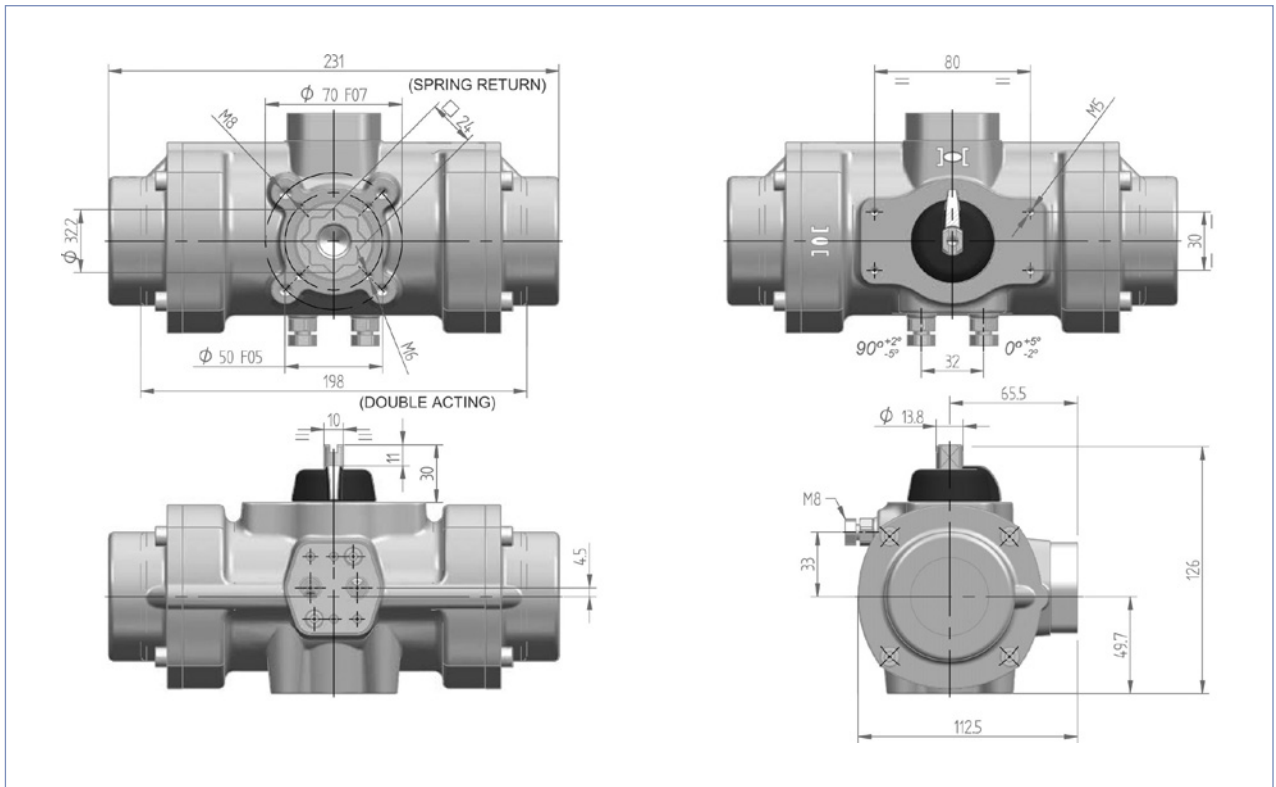
Dimensions

SS001 Model



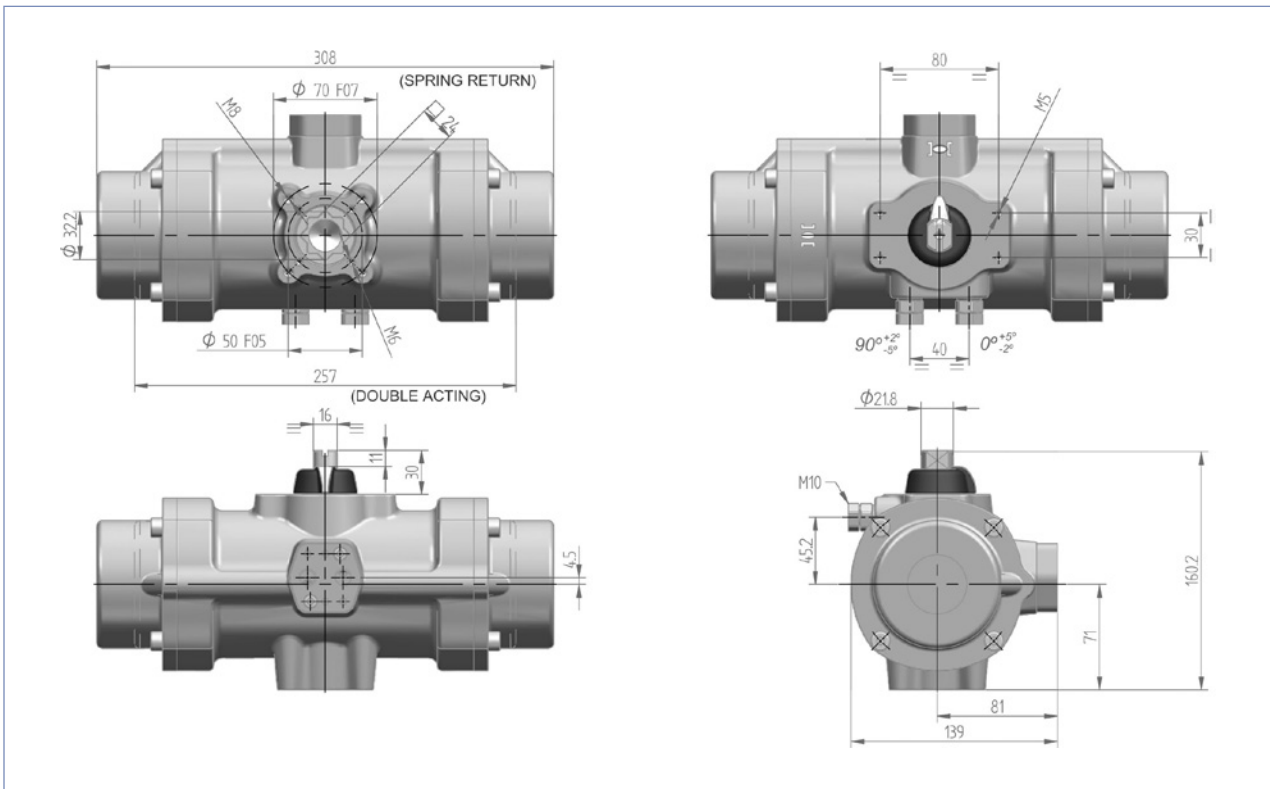
Dimensions

SS010 Model



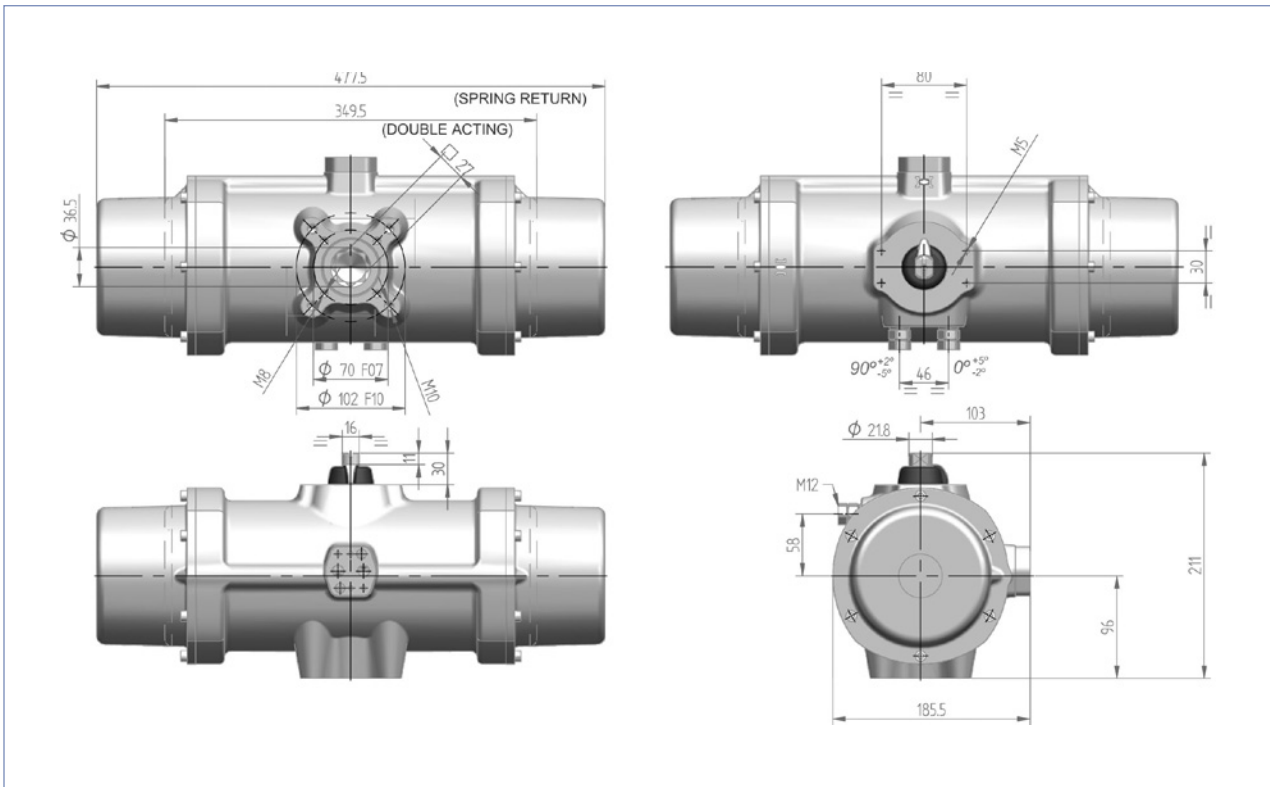
Dimensions

SS020 Model



Dimensions

SS030 Model



Technical information

Model	Cycle time (seconds)		Weight [Kg]	Capacity [Litres]	
	Open	Close		Open	Close
SS001 (DA)	0.15	0.15	2.2	0.15	0.1
SS001 (SR)	0.2	0.2	2.6	0.15	
SS010 (DA)	0.25	0.25	4.7	0.35	0.32
SS010 (SR)	0.3	0.3	5.6	0.35	
SS020 (DA)	0.4	0.4	5.9	0.8	0.7
SS020 (SR)	0.5	0.5	9.9	0.8	
SS030 (DA)	0.6	0.6	17.9	2.05	1.9
SS030 (SR)	1.2	1.2	25.4	2.05	

Torques

Double acting

Air pressure	Bar	3	4	5	6	7	8
SS001(DA)	Nm	11.6	16.1	20.5	25	29.5	33.9
SS010(DA)	Nm	32.9	45.6	58.3	71	83.7	96.4
SS020(DA)	Nm	77.7	107	136.3	165.5	194.8	224
SS030(DA)	Nm	226.5	307.4	388.3	469.2	550.1	631

Spring return; four spring model data only [data for 3, 2, 1 springs on request]

Unit size	Spring Torques		Air torque at indicated pressure, Nm									
			4		5		6		7		8	
			Initial	End	Initial	End	Initial	End	Initial	End	Initial	End
SS001 (SR)	15.9	11.3			9.2	4.6	13.7	9.1	18.1	13.5	22.6	18.0
SS010 (SR)	46.6	32.3			26.0	11.7	38.7	24.4	51.4	37.1	64.1	49.8
SS020 (SR)	103.3	64.2			72.1	33.0	101.3	62.2	130.6	91.5	159.8	120.7
SS030 (SR)	273.7	179.9	127.5	33.7	208.4	114.6	289.3	195.5	370.2	276.4	451.1	357.3

Ordering information

Contact Bürkert; on request

Call 1300 888 868 (Australia) or 0800 BURKERT (NZ)