

## Multiport manual ball valve in stainless steel, automation ready



- Pin through stem for rugged long life
- Limitless configurations
- Blow-out proof stem design
- ISO pad for direct actuator mount

Type 2654 can be combined with...



**Rack & pinion**

Rilsan coated pneumatic actuator



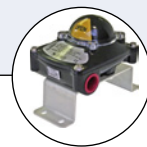
**Type 3005**

Heavy duty electric actuator for quarter turn



**Type 3003**

Electric actuator for quarter turn



**Switchbox**

Feedback, position indicator

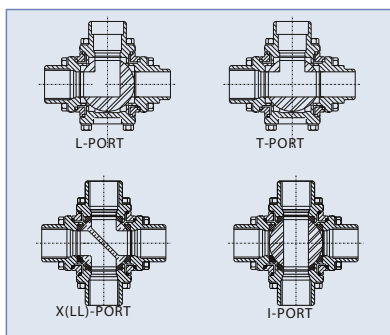
Bürkert multiport ball valves are designed for limitless variation. The unique pin-through-stem construction holds the ball in place over many cycles for accurate and long life cycle.

Multiport ball valves come in more frequently used versions, such as the 3 and 4 way units detailed in this datasheet, as well as custom configurations to meet your needs.

Like all Bürkert valves, multiport Type 2654 valves are automation ready with a complete package of actuators, digital positioners and modular accessories available.

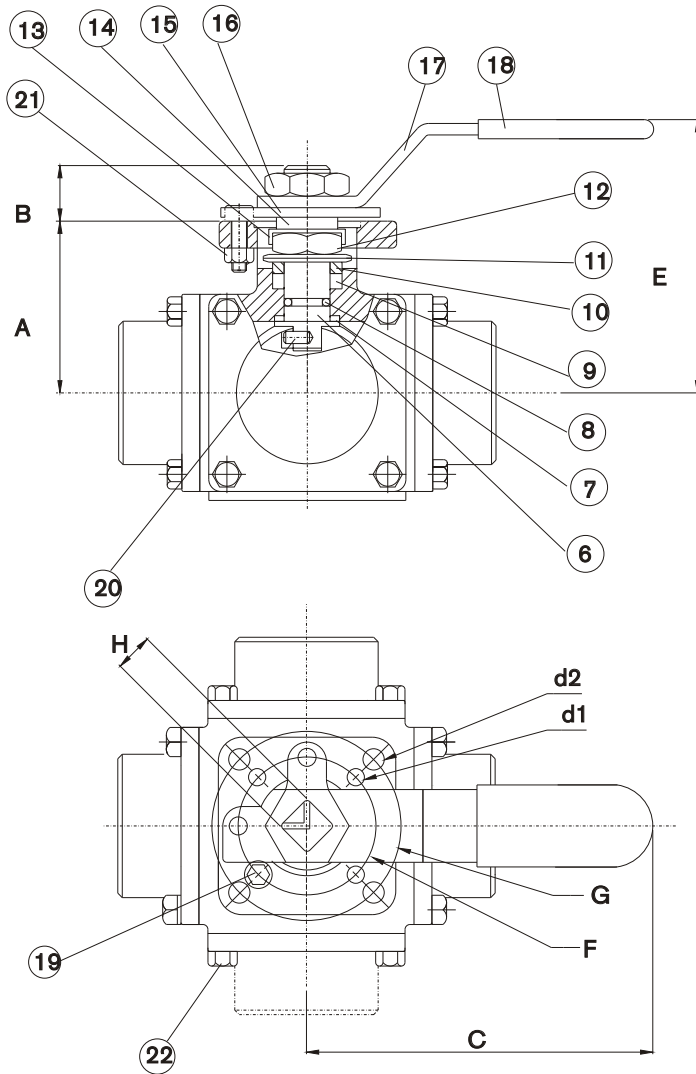
Contact Bürkert for more technical information, and ordering details, for multiport valves.

Examples of standard multiport valves:

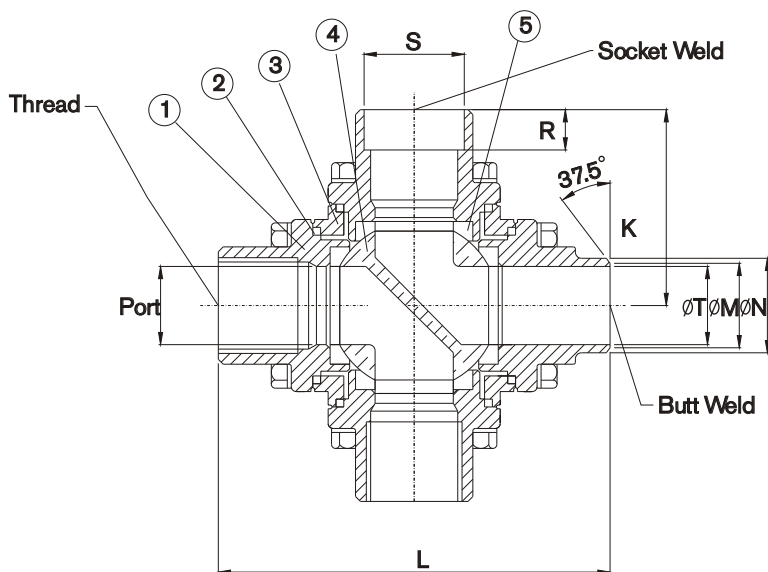


Technical data	
<b>Body material</b>	Stainless steel Options on request Hastalloy C, Super duplex, Alloy 20, Monel
<b>Ball material</b>	Stainless steel
<b>Seal material</b>	PTFE
<b>O-ring</b>	Viton
<b>Media</b>	Universal application; tough materials and construction
<b>Media temperature</b> Valves with PTFE seal	-30 to +200°C (see diagram Pg. 4 for other materials)
<b>Port connections</b>	Threaded BSP ANSI flange (others on request)
<b>Operating pressure</b>	0-70 bar (see diagram Pg. 4)
<b>Installation</b>	Any direction

Dimensions, valves up to 2 inches [mm]



Item	Part Name	Materials
1	End Cap	CF8M
2	Gasket	PTFE
3	Body	CF8M
4	Ball	SS 316
5	Seat	PTFE
6	Thru St Washer	RPTFE
7	Stem	SS 316
8	O-Ring	VITON
9	Stem Packing	PTFE
10	Gland	SS 304
11	Disk Washer	SS 301
12	Stem Nut	SS 304
13	Nut Stop	SS 304
14	Space Washer	SS 304
15	Stopper Plate	SS 304
16	Handle Nut	SS 304
17	Handle	SS 304
18	Sleeve	Plastic
19	Stop Pin	SS 304
20	Insert Pin	SS 316
21	Stop Pin Nut	SS 304
22	Bolts	SS 304



Dimensions, valves up to 2 inches [mm], continued

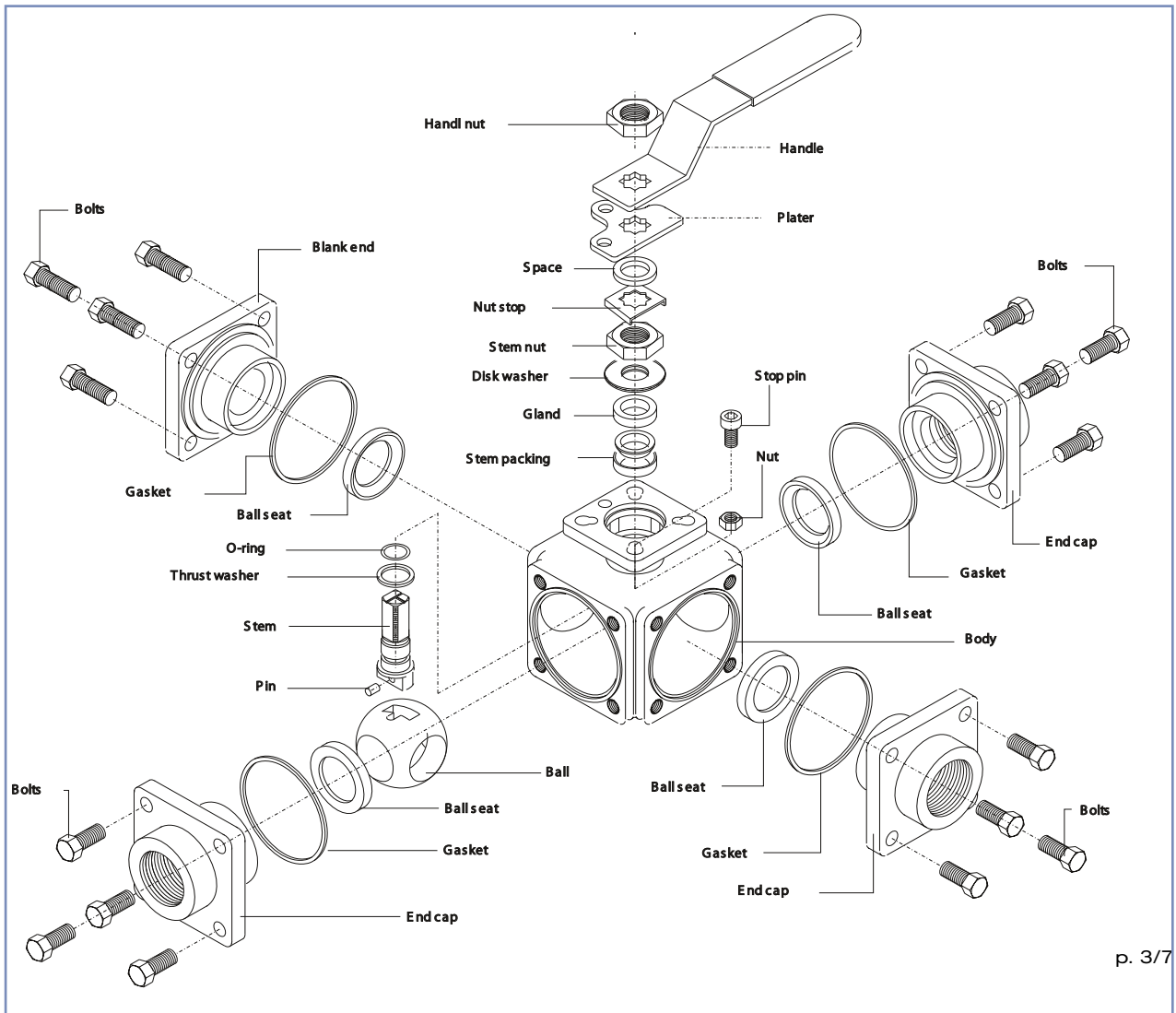
Full Port

Port	A	B	C	d1	d2	E	F	G	H	K	L	R	S	Port	T	M	N	3-Way (Kg)	4-Way (Kg)
1/4"	38.5	11	130	6	6	62	36	42	9	44	88	11.1	14.2	10	10	12.5	17	1.3	1.32
3/8"	38.5	11	130	6	6	62	36	42	9	44	88	11.1	17.5	12.5	12	14.5	19	1.3	1.32
1/2"	41	11	130	6	6	64	36	42	9	52.5	105	12.7	21.7	15	15	17.5	21.5	2.02	2.05
3/4"	49	14	165	6	7.1	82	42	50	11	55.5	112	14.3	27.1	20	20	22.5	27.5	2.62	2.7
1"	55	14	165	6	7.1	89	42	50	11	64	128	15.9	33.9	25	25	28	34.5	3.71	3.76
1 1/4"	63	18	205	7.1	9.2	98	50	70	14	70	140	17.5	42.5	32	32	35	42.8	5.47	5.55
1 1/2"	74	18	205	7.1	9.2	108	50	70	14	80	160	19.1	48.6	38	38	41	49	8.44	8.52
2"	93	23	325	9.2	11.4	140	70	102	17	96	192	22.2	61.1	50	50	54	61	15.36	15.46

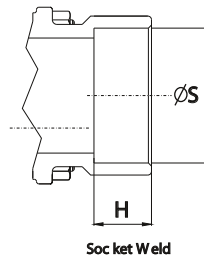
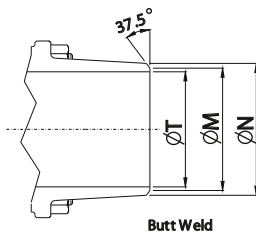
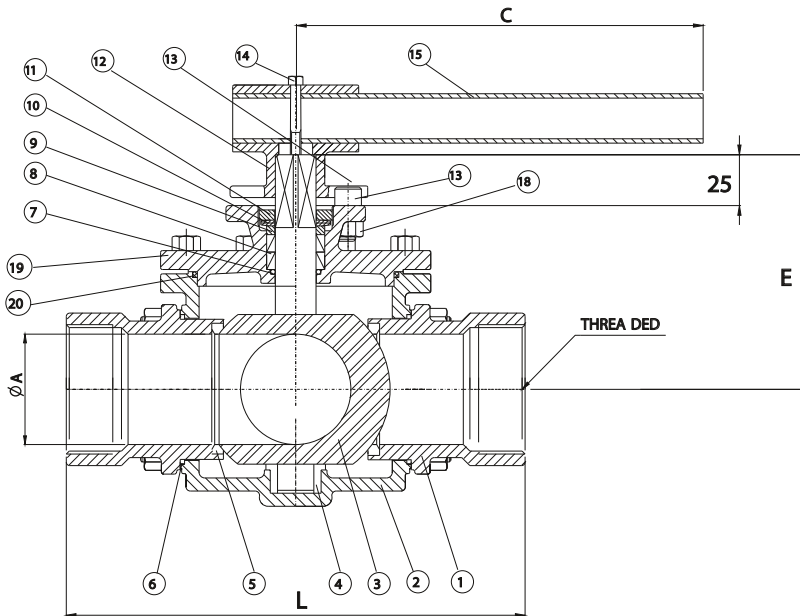
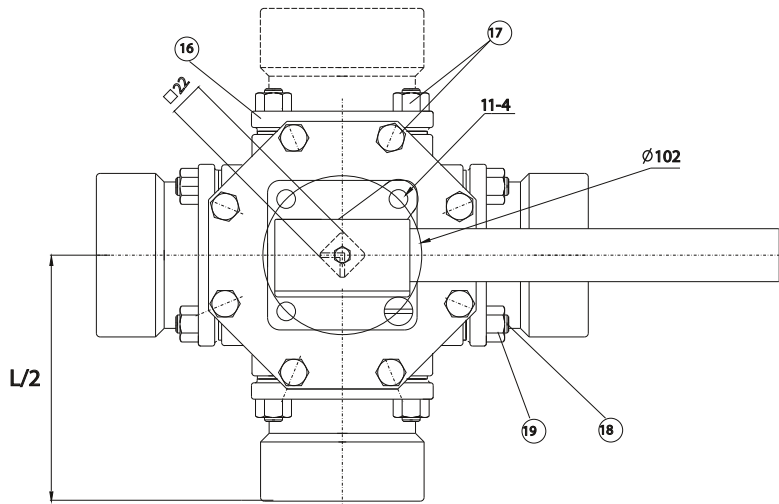
Standard Port

Port	A	B	C	d1	d2	E	F	G	H	K	L	R	S	Port	3-Way (Kg)	4-Way (Kg)
1/2"	38.5	11	130	6	6	62	36	42	9	44	88	12.7	21.7	12.5	1.3	1.33
3/4"	41	11	130	6	6	64	36	42	9	52.5	105	14.3	27.1	15	2.04	2.09
1"	49	14	165	6	7.1	82	42	50	11	55.5	112	15.9	33.9	20	2.65	2.69
1 1/4"	55	14	165	6	7.1	89	42	50	11	64	128	17.5	42.5	25	3.98	4.1
1 1/2"	63	18	205	7.1	9.2	98	50	70	14	70	140	19.1	48.6	32	5.31	5.34
2"	74	18	205	7.1	9.2	108	50	70	14	80	160	22.2	61.1	38	8.37	8.42

Exploded view



Dimensions, valves larger than 2 inches [mm]

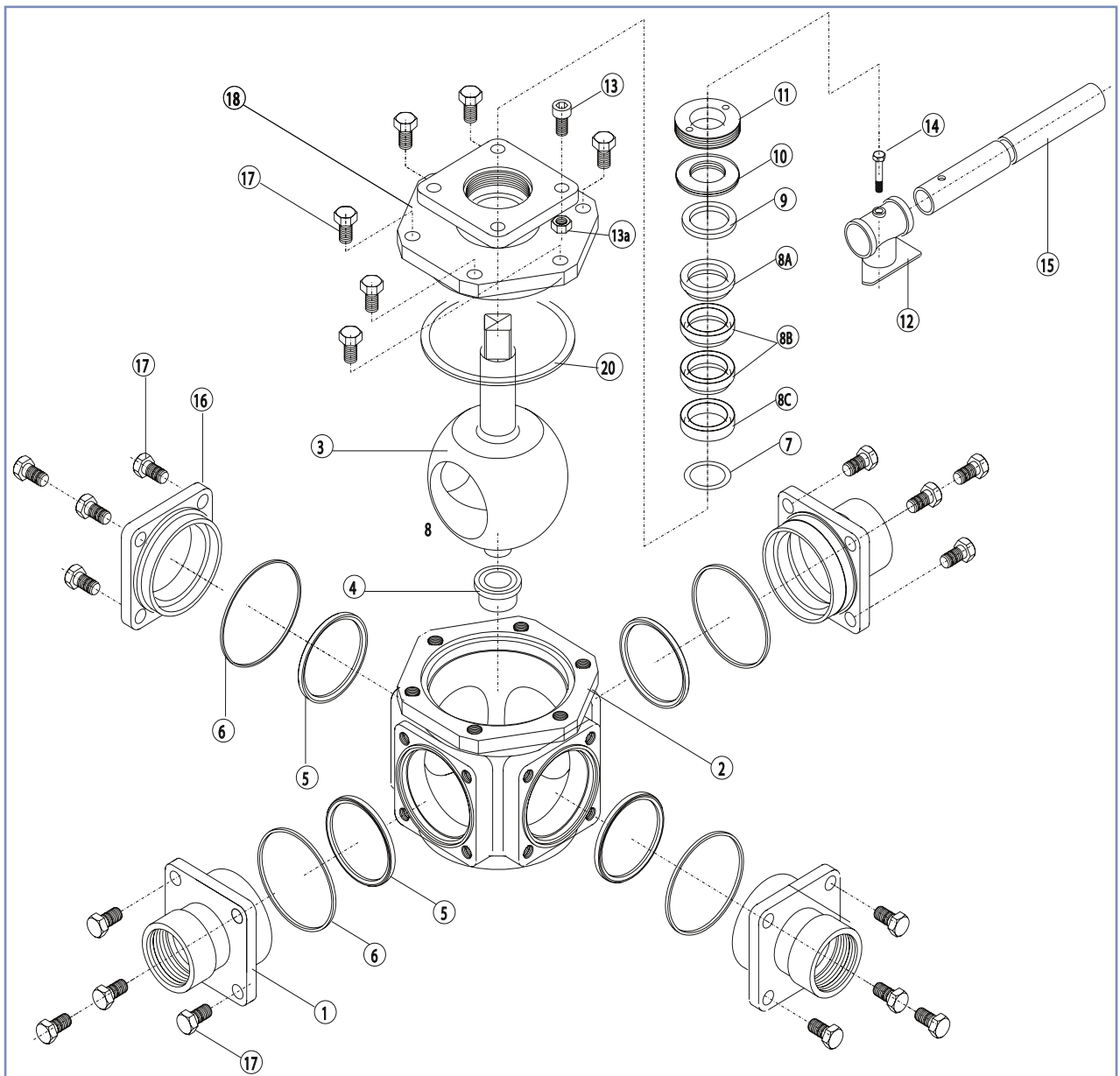


Item	Part Name	Materials
1	End Cap	CF8M
2	Body	CF8M
3	Ball & stem	SS 316
4	Housing	PTFE & STA
5	Seats	PTFE
6	Gasket	PTFE
7	O-Ring	VITON
8	Stem Packing	PTFE
9	Gland Washer	SS 304
10	Disk Washer	SS 301
11	Gland	SS 304
12	Handle Head	A351 Gr .CF8
13	Stop Pin	SS 304
14	Bolts	SS 304
15	Handle	Steel Pipe
16	Blank Cap	CF8M
17	Bolt	SS 304
18	End Cap Bolts	SS 304
19	Bolt Nuts	SS 304
20	Stop Pin Nuts	CF8M
21	Bonnet	SS 304
22	Bonnet Gasket	PTFE

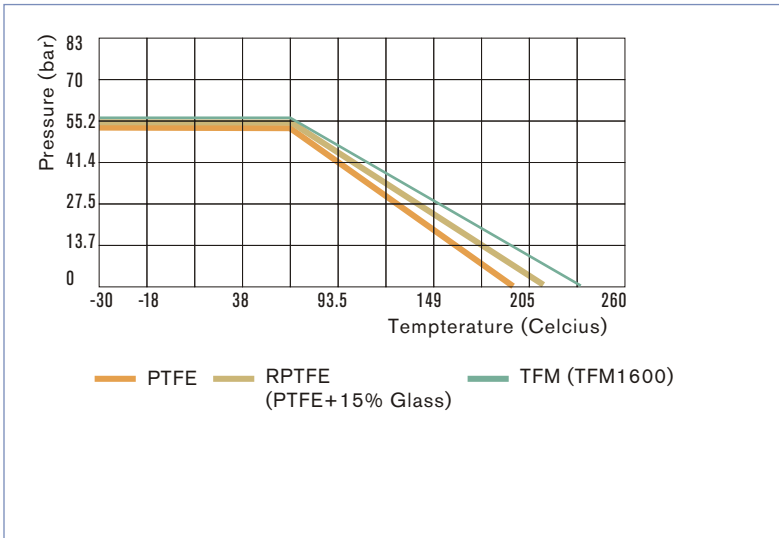
Dimensions, valves larger than 2 inches [mm], continued

SIZE	A	B	C	E	L	L(BW)	H	S		T	M	N	3-Way (Kg)	4-Way (Kg)
2½"	62	65	400	144	294	265	23	73.9 / 77 (DIN)		65	70	77	22.7	23.6
3"	76	80	500	162	317	290.6	23	89.6		80	85	91	31.2	31.8
4"	96	100	650	182	369	345	29	115		100	100	115	53.4	54.2

Exploded view



**Pressure chart**



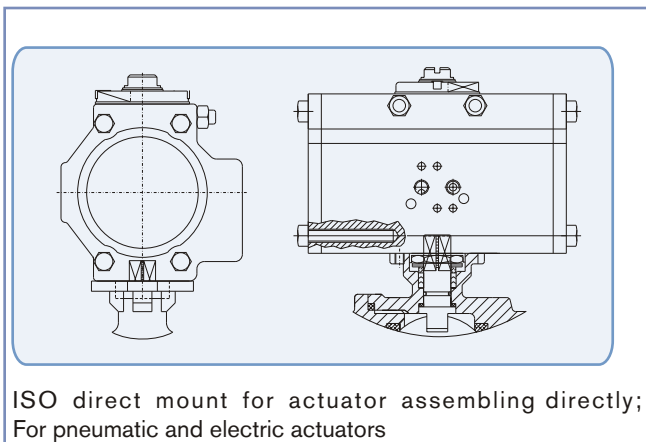
**Break-Torque value [Nm/ at 0 bar]**

Greases used including lubricant & anti-freeze grease both Silicone free

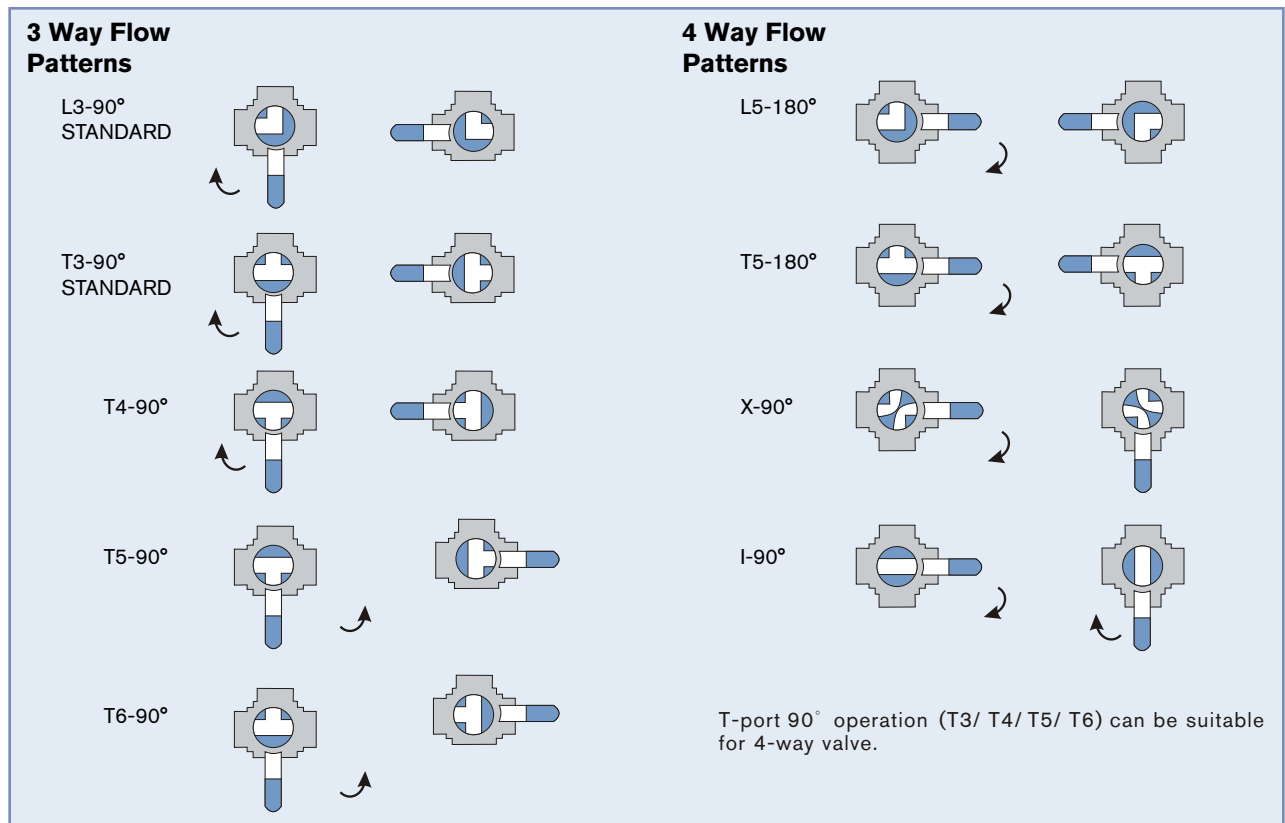
Size (Full)	1/4"	3/8"	1/2"	3/4"	1"	1 1/4"	1 1/2"	2"	2 1/2"	3"	4"
Size (reduced)	-	1/4" ~ 1/2"	3/4"	1"	1 1/4"	1 1/2"	2"	-	-	-	-
Grease	10.3	10.3	12.8	15.4	32.1	34.6	55.3	71.8	134.7	147.5	237.3
Non-Grease	15.4	15.4	16.2	19.5	38.4	41.3	63.4	96.2	229	258.2	427.5

**ISO mounting pad standard**

Ask about our actuators for direct mount on all valves



Flow diagram



Multiport valves available - ask Bürkert

Ordering on request, contact Bürkert with your multiport valve needs.

Call 1300 888 868 (Australia) or 0800 BURKERT (NZ).