



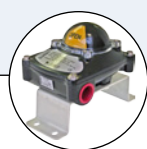
3/2-way Quarter-Turn ball valve in stainless steel with pneumatic actuator

- Semi lugged stainless steel body
- ISO mount; standard on all components
- Pilot valve connection NAMUR
- L port and T port configurations
- Pin through valve stem for rugged long life

Type 2655 can be combined with...



Type 6519 Namur
Pilot valve, direct mount



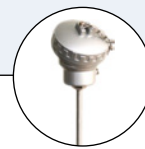
Feedback
Switch box



Type 8644
AirLINE control system



Type 8793
Digital process controller



Type 8400
Pt100 for control loop with 8793

The Type 2655 consists of a pneumatic quarter turn actuator and a ball valve. The system featured here comprises a 3/2-way stainless steel ball valve with rack & pinion pneumatic actuator. The connection between the actuator and the ball valve takes place via a standard interface (flange connection).

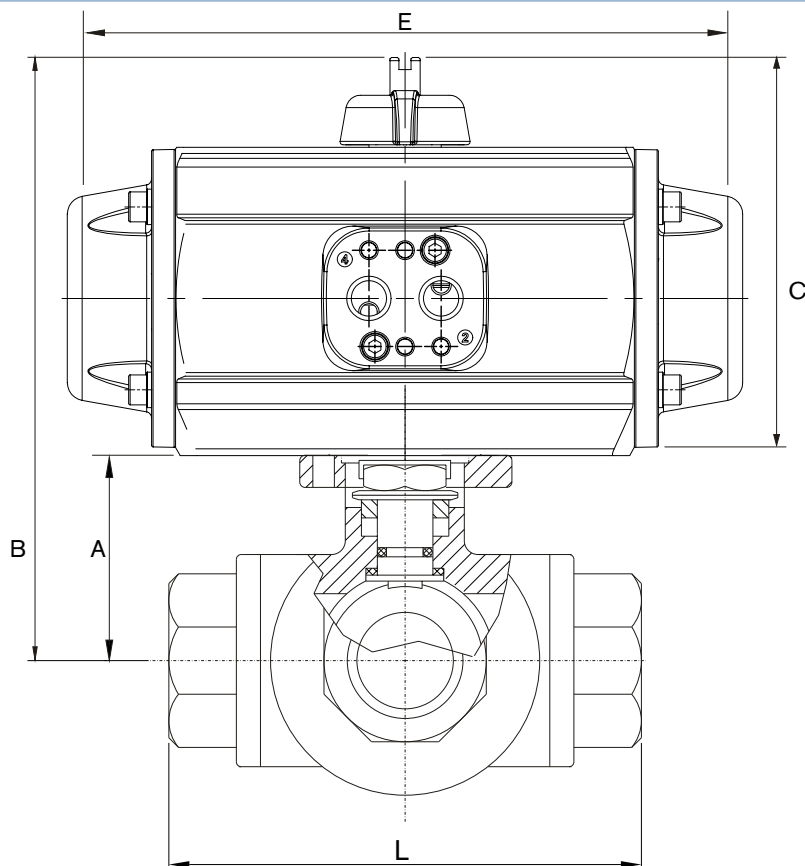
The compact, pneumatically actuated ball valve can be employed for a wide range of applications, even under heavy-duty, slightly aggressive conditions.

Applications

- Chemical processing
- Food and feed processing
- Water treatment
- Cleaning machines
- Drinking water distribution
- General applications

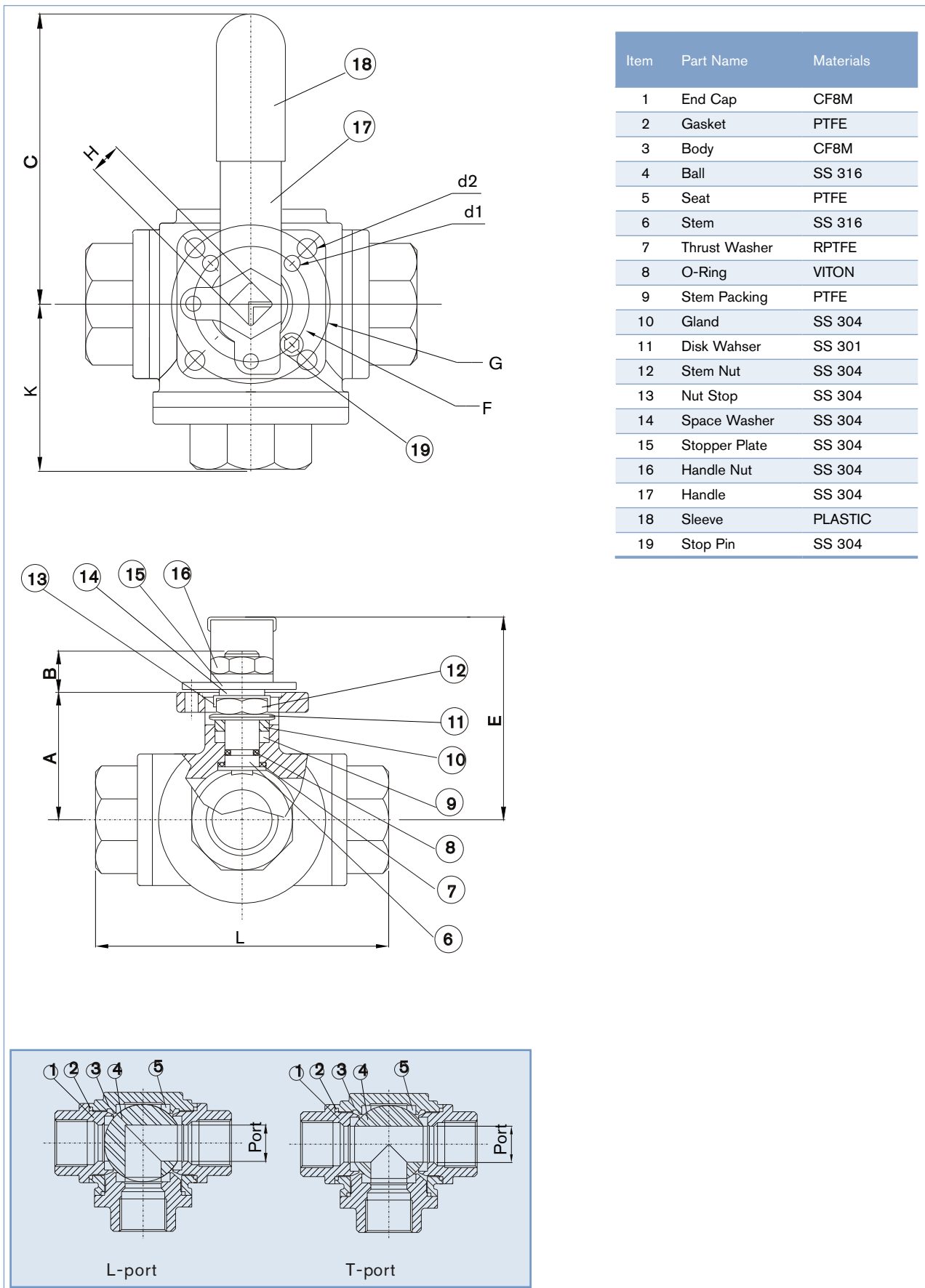
Technical data	
Orifice	DN 15 - 50 (standard range; others on request)
Body Material	Stainless steel
Actuator material	Rilsan & Epoxy coated Aluminium
Valve seal material	PTFE
Pilot air ports material	Stainless steel
Media	Gaseous and liquid media, which do not attack the body and sealing materials
Media temperature	-10 to +120°C
Ambient temperature	-10 to +60°C
Control medium	Pneumatic air (neutral gases) Can be actuated with water & other neutral fluids
Port connection	Threaded port 1/2" .. 2" (Standard range; other sizes on request)
Pilot pressure	Double-acting actuator Spring-return actuator
	3 .. 8 bar 3 .. 8 bar
Cycle time to open//close	Double-acting actuator Spring-return actuator
	0.15 seconds (depending on load and pilot pressure) 0.2 seconds (depending on load and pilot pressure)
Connection between actuator and ball valve	Flange acc. to ISO 5211 or DIN 3337
Rotation	90° ±3°
Installation	As required, preferably with actuator in upright position

Valve dimensions [mm]



Valve Size	Actuator Size (SR)	Actuator Size (DA)	A	B (SR)	B (DA)	C (SR)	C (DA)	Port	E (SR)	E (DA)	L
1/2"	RI005	RI00W	38.5	166.8	127.8	128.3	89.3	12	200.8	140.2	72
3/4"	RI005	RI000	42	170.3	153.3	128.3	111.3	15	200.8	140.2	83
1"	RI010	RI000	49	181.3	160.3	132.3	111.3	20	224.4	140.2	99
1 1/4"	RI015	RI005	55	202.8	183.3	147.8	128.3	25	264.2	152.3	112
1 1/2"	RI025	RI010	63	247.3	195.3	184.3	132.3	32	366.2	200.8	125
2"	RI025	RI015	74	258.3	221.8	184.3	147.8	38	366.2	200.8	149

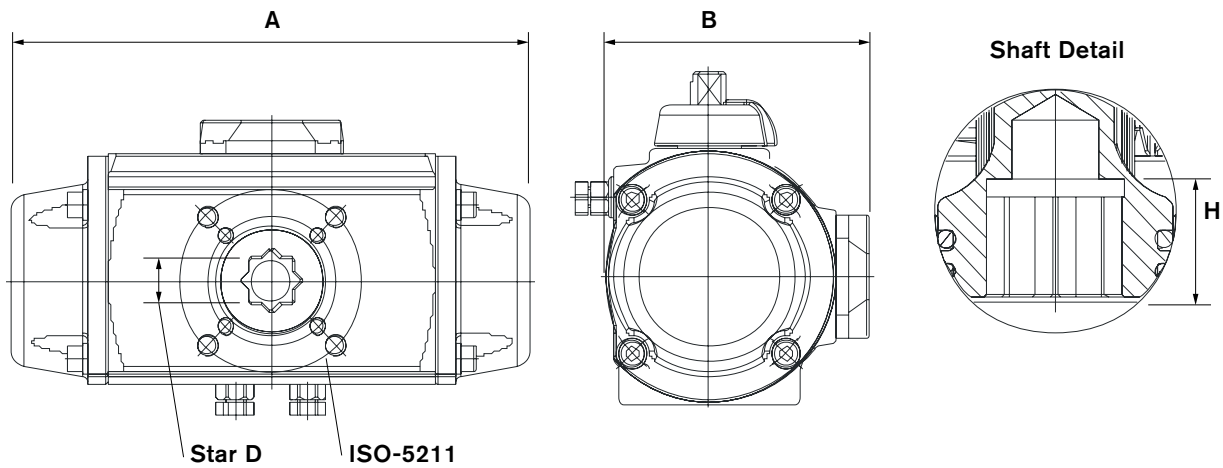
Valve dimensions [mm], continued (body detail)



Valve dimensions [mm], continued (body detail)

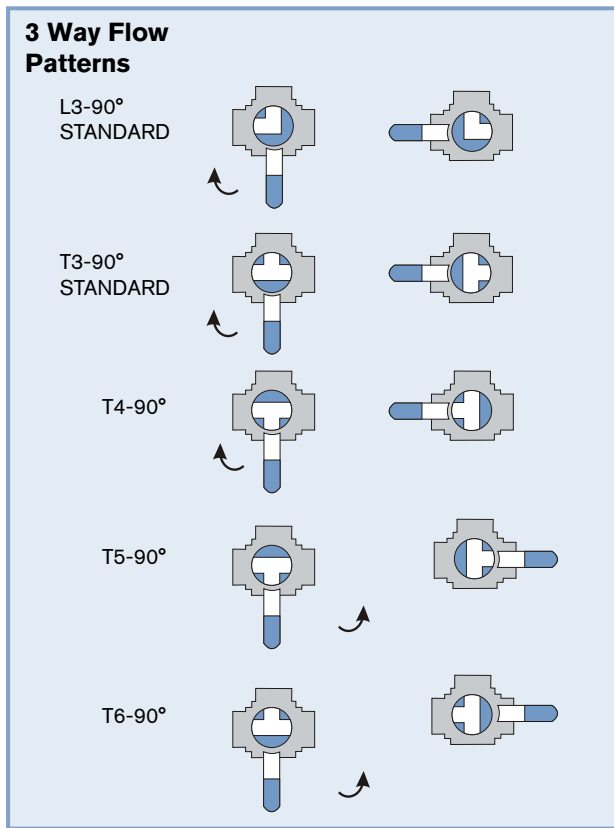
Full Port	Std. Port	A	B	C	d1	d2	E	F	G	H	K	L	Port	Full Wt [Kg]	Std Wt [Kg]
1/4"	-	37.5	11	130	6	6	62	36	42	9	36	72	11	0.66	0.66
3/8"	1/2"	38.5	11	130	6	6	62	36	42	9	36	72	12	0.66	0.66
1/2"	3/4"	42	11	130	6	6	64	36	42	9	41.5	83	15	0.86	0.66
3/4"	1"	49	14	165	6	7.1	82	42	50	11	49.5	99	20	1.48	0.86
1"	1 1/4"	55	14	165	6	7.1	89	42	50	11	56	112	25	2.22	1.52
1 1/4"	1 1/2"	63	18	205	7.1	9.2	98	50	70	14	62.5	125	32	3.22	2.18
1 1/2"	2"	74	18	205	7.1	9.2	108	50	70	14	74.5	149	38	5.36	3.38
2"	-	93	22	325	9.2	11.4	140	70	102	17	87	174	50	9.7	5.26

Valve dimensions [mm], continued (actuator detail)





Model			Dimensions					
ID No DA	ID No SR	Size	A	B	C	ISO-5211	Star D	H
AU42098	AU44062	(RI00W)	140.2	76.1	89.3	F03 or F05	11	17.6
AU16470	AU16450	(RI000)	152.3	84.1	111.3	F03 or F05	14	17.8
AU44056	AU44063	(RI005)	200.8	101.6	128.3	F05 - F07	17	20.6
AU16460	AU10830	(RI010)	224.4	103.6	132.3	F05 - F07	17	20.8
AU44057	AU44064	(RI015)	264.2	119.4	147.8	F05 - F07	17	20.8
AU44058	AU16480	(RI020)	309.5	127.5	156.3	F05 - F07	17	20.7
AU44059	AU44065	(RI025)	366.2	153.5	184.3	F07 - F10	27	31.1
AU44060	AU44066	(RI030)	479	177	211	F07 - F10	30	30
AU44061	AU44067	(RI040)	598	226	272	F12	36	38
AU44215	AU44068	(RI050)	694	257.5	313	F14	36	38

Valve flow patterns






Ordering chart for valves (other versions on request)

Pneumatically actuated 3/2-way ball valve with BSP ports




	Valve function	Orifice [mm]	Port size	Pressure	Body material	Seal material	ID No.	Optional Switchbox accessory size
	L Port Double Acting	15	½"	70 bar	SS-316	PTFE	AU46654	Size 2
		20	¾"	70 bar	SS-316	PTFE	AU29139	Size 2
		25	1"	70 bar	SS-316	PTFE	AU46747	Size 2
		32	1¼"	70 bar	SS-316	PTFE	AU47140	Size 2
		40	1½"	70 bar	SS-316	PTFE	AU46721	Size 2
		50	2"	70 bar	SS-316	PTFE	AU17620	Size 2
	L Port Spring Return	15	½"	70 bar	SS-316	PTFE	AU46238	Size 2
		20	¾"	70 bar	SS-316	PTFE	AU48967	Size 2
		25	1"	70 bar	SS-316	PTFE	AU46144	Size 2
		32	1¼"	70 bar	SS-316	PTFE	AU49060	Size 2
		40	1½"	70 bar	SS-316	PTFE	AU48904	Size 2
		50	2"	70 bar	SS-316	PTFE	AU46056	Size 2

Ordering chart for valves (other versions on request)

Pneumatically actuated 3/2-way ball valve with BSP ports

	Valve function	Orifice [mm]	Port size	Pressure	Body material	Seal material	ID No.	Optional Switchbox accessory size
	T Port Double Acting	15	½"	70 bar	SS-316	PTFE	AU47144	Size 2
		20	¾"	70 bar	SS-316	PTFE	AU46290	Size 2
		25	1"	70 bar	SS-316	PTFE	AU46327	Size 2
		32	1¼"	70 bar	SS-316	PTFE	AU47143	Size 2
		40	1½"	70 bar	SS-316	PTFE	AU47141	Size 2
		50	2"	70 bar	SS-316	PTFE	AU46368	Size 2
	T Port Spring Return	15	½"	70 bar	SS-316	PTFE	AU46892	Size 2
		20	¾"	70 bar	SS-316	PTFE	AU49102	Size 2
		25	1"	70 bar	SS-316	PTFE	AU46326	Size 2
		32	1¼"	70 bar	SS-316	PTFE	AU47142	Size 2
		40	1½"	70 bar	SS-316	PTFE	AU48893	Size 2
		50	2"	70 bar	SS-316	PTFE	AU46962	Size 2

i Further versions on request

-  Port Connection
-  Approvals
-  Temperature



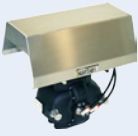


Ordering chart for accessories for Type 2655 (to be ordered separately)

Type 2655 pneumatically actuated ball valves require pneumatic piloting. Standardised piloting kits for Type 2655 shown below. Variations available (eg all voltage variations available).

Item description	ID No	
	24V DC	240V AC
For Direct Acting type Type 6519 pilot solenoid valve with namur type service port and G1/4" air ports. Normally closed 3/2, 5/2 Way circuit function. PA body with stainless steel inserts. Type 2508 DIN Plug, with LED.	131425	131428
	008360	008362
	781889	
	AU03280	
For Spring Return type Type 6014 pilot solenoid valve with G1/4" service port and G1/4" air ports. Normally closed 3/2 Way circuit function. PA/Brass/Aluminium body with FKM seal. Type 2508 DIN Plug, with LED.	424103	424107
	008360	008362
	781889	
	AU03280	

Type 2655 pneumatically actuated ball valve accessories. Top mounted switchbox, for visual position indication and Type 8793 positioner process controller.

Item description	ID No
 <p>Top mounted switch box, Size 1. For visual position indication. Aluminium die cast, polycarb.</p> <p>Top mounted switch box, Size 2. For visual position indication. Aluminium die cast, polycarb.</p> <p>Top mounted switch box, Size 3. For visual position indication. Aluminium die cast, polycarb.</p> <p>*NB All units on ordering chart indicate which size switch box suits</p>	AU50858
	AU50606
	AU50607
 <p>Type 8793 electropneumatic positioner with integral PID controller. For Spring Return & Double Acting actuator type. Operating voltage 24V DC.</p> <p>Type 8791 Basic electropneumatic positioner. For Spring Return & Double Acting actuator type. Operating voltage 24V DC.</p>	On Request
	On Request
 <p>Protective hood for quarter turn control valves, stainless steel. Designed for protection from weather and sun to deliver long service life.</p>	AU33834