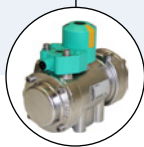




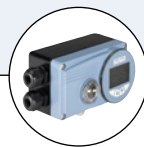
## 2/2-way hygienic butterfly valve, polished stainless steel

- One piece disk
- Interchangeable handle models
- Engineered to ISO Standard
- Easy cleaning, assembly and automation
- Handle assembled on either side of valve

Type 2671 can be combined with...



**Actuator & prox switch**  
Stainless steel



**Type 8792**  
Positioner, direct or remote mount



**Type 8055**  
Magflow meter, hygienic, clamp ends



**Type 8692**  
Top mount positioner

For hygienic processing and manufacturing applications. Bürkert's stainless steel butterfly valve is economical with reduced weight and extremely short dimensions.

Permanent and continuous leak tightness delivered by special construction, with seats installed inside a safety chamber for perfect sealing.

### Technical data

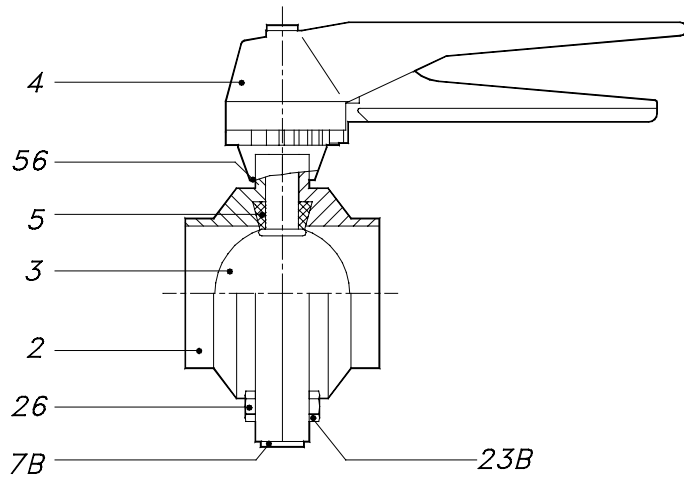
<b>Material</b>	Wetted parts Non-wetted parts	Stainless steel AISI-316 (forged) Stainless steel AISI-304 (forged)
<b>Finishing</b>	Internal External	Polish Ra ≤ 0.8 µm Mechanically polished (standard range; other finishes on request)
<b>Seal</b>		Silicone (FKM, EPDM & NBR on request)
<b>Nominal Diameter</b>		1" .. 6" // 10 .. 200mm (standard range; others on request)
<b>Connections</b>		Butt weld, Clamp end (DIN 11851, Weld ends, FIL-IDF, BS-RJT, SMS, Flange, Macon, options on request)
<b>Construction</b>		Valve body assembled in two halves; halves are interchangeable with any connection type (including different connections on each side)
<b>Torque</b>		8 .. 70Nm (standard range; others on request)
<b>Temperature range</b>		-10°C .. 121°C +140°C for 30mins (eg SIP) (pressure, media and material dependent; see page 3)
<b>Operating pressure</b>		10 Bar (above 150mm 8 bar)
<b>Handle</b>		2 position (standard) Multi-position Micrometric regulation
<b>Automation</b>		Adapter bracket for ISO mounting pad suits standard actuator mounting (rack & pinion, vertical); Remote & direct mount positioners & process controllers (including Ex) in Bürkert's standard quarter turn package

### Applications

- Pharmaceutical
- Food & beverage
- Chemical and fine chemical
- Cosmetics

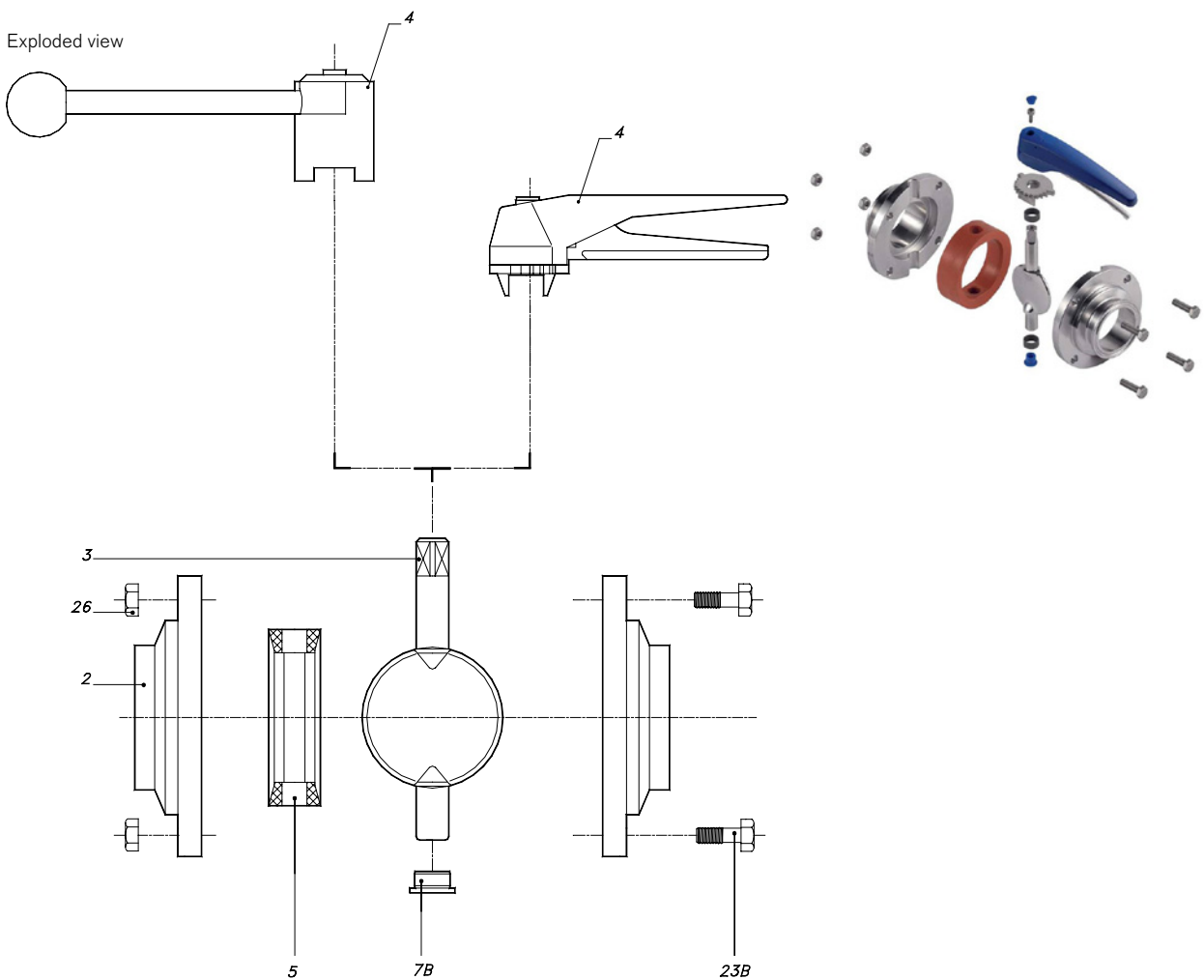
Technical Information

Material Specifications & exploded view



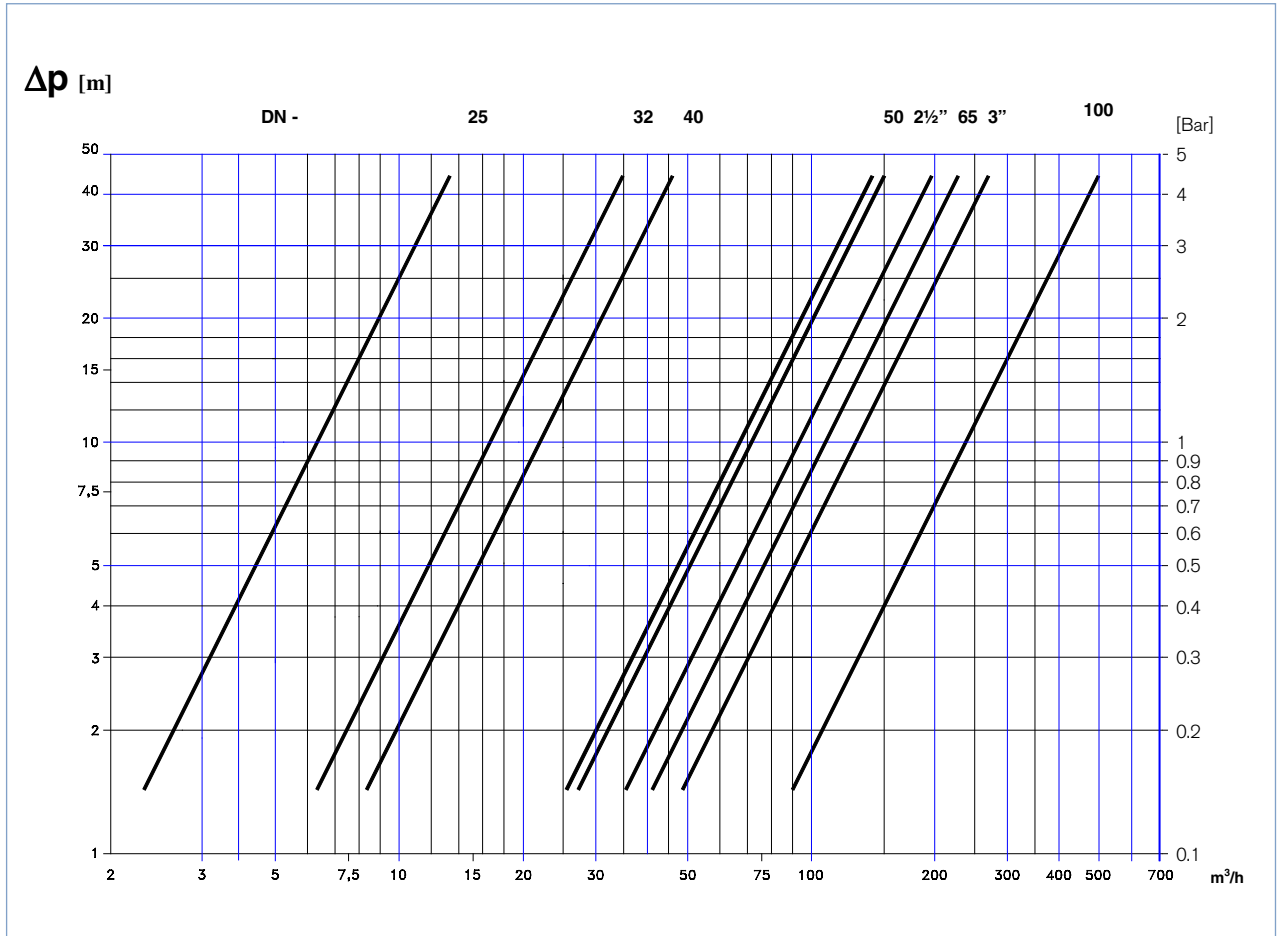
No	Description	Material	Qty
2	Body half	AISI-304/316	2
3	Disk	AISI-316	1
4	Handle	PP/AISI-304	1
5	Seat	Silicone	1
7B	Plug	Plastic	1
23B	Screw	AISI-304	4 / 6
26	Nut	AISI-304	4 / 6

Exploded view



Technical Information

Pressure drop table

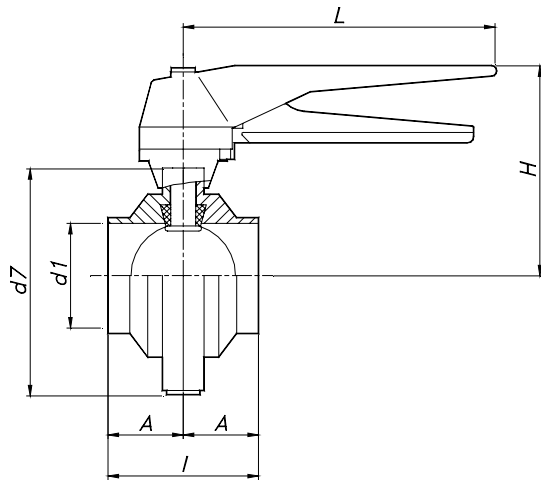


Torque output

Valve size [suits pipe size shown]	1"	1½"	2"	2½"	3"	4"	6"
Torque [Nm]	8	10	14	15	18	25	70

Dimensions [mm]

Weld end & clamp end versions

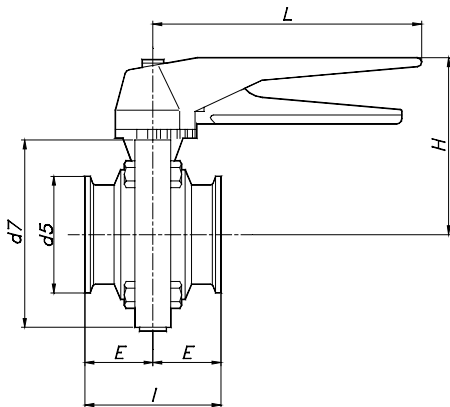


DN	d1	d7	A	I	H	L
1"	22.1	87	20	40	90	150
1½"	34.9	97	25	50	95	150
2"	47.6	110	25	50	100	150
2½"	60.3	112	25	50	102	150
3"	72.9	127	25	50	110	150
4"	97.4	162	32	64	128	150
6" *	146.8	240	66	132	180	300

\*Only with 2 position handle

\* DN valve to suit pipe of size shown

Clamp connection version




DN	d5	d7	E	I	H	L
1"	50.5	87	32	64	90	150
1½"	50.5	97	36	72	95	150
2"	64	110	36	72	100	150
2½"	77.5	112	38	76	102	150
3"	91	127	38	76	110	150
4"	119	162	52	104	128	150
6"*	166.2	240	66	132	180	300


\*Only with 2 position handle


## Ordering chart

Manually actuated hygienic stainless steel butterfly valve with internal Ra ≤ 0.8 µm polish; actuation ready

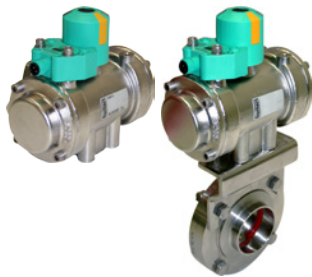
	Size	Kv value [m³/h]	Torque [Nm]	Pressure [bar]	Body	Seal	ID No	
							Butt weld	Clamp ends
	1"	36	8	10	SS 316	Silicone	AU46430	On request
	1½"	50	10	10	SS 316	Silicone	AU46336	On request
	2"	85	14	10	SS 316	Silicone	AU46431	On request
	2½"	215	15	10	SS 316	Silicone	AU46432	On request
	3"	420	18	10	SS 316	Silicone	AU46433	AU50584
	4"	800	25	10	SS 316	Silicone	AU46434	On request
	6"	2100	70	8	SS 316	Silicone	On request	On request

### Further versions on request

 Process connection

 Material  
Body & seals

## Assembly



Stainless steel (throughout)  
pneumatic actuator; plus proximity  
switch feedback (ASi)



Type 8792  
positioner (& SS  
actuator)



Type 8692  
positioner (& vertical  
pneumatic actuator)

As a process organisation, Bürkert is an actuation and automation expert. All Bürkert valves are actuation ready with ISO mounting pads – further, Bürkert's digital positioners deliver precision control on your terms.

Contact Bürkert now for more information on actuation and automation.

In case of special application conditions, please consult for advice.

We reserve the right to make technical changes without notice.  
© Christian Bürkert GmbH & Co. KG

201011-2671-Bfly-Hyg-AU-EN