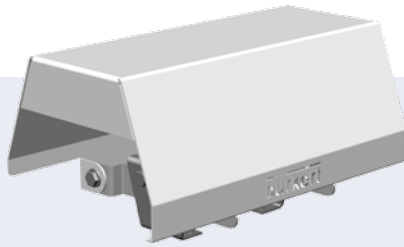


Protective hood assembly for quarter turn valves



The hood (pictured with pneumatic actuator) can be combined with...

- For protection of field valving from weather
- Suitable for quarter turn valves
- Hinged hood for access to controller
- Locks into position (open, closed)
- Designed locally for tough conditions



Type 8791

Basic positioner with bright visual position indication



Type 8792

Positioner with LCD display



Type 8793

Process controller with PID



Type 2658

Ball valve with Type 8792 positioner



Type 2672

Butterfly valve with Type 8793

Bürkert's full stainless steel protective hood was designed in the Pacific, for tough local conditions. The hood is arranged to shade quarter turn valves with top works (actuator and positioner) from sun, rain and weather conditions. The hood is hinged. It locks into position and opens for access to positioner controls.

Designed specifically for Bürkert's new digital positioners Types 8791, 8792 and 8793, the protective hood will maximise the service life of positioners and quarter turn valves. The hood also works with Type 8635 (positioner for hazardous locations) and Type 1067.

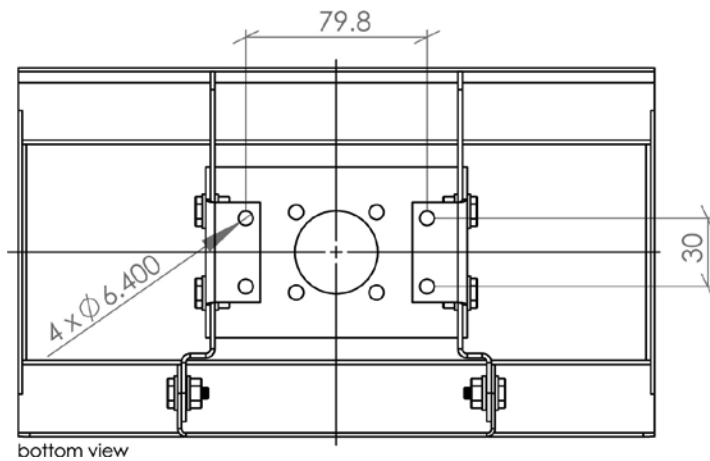
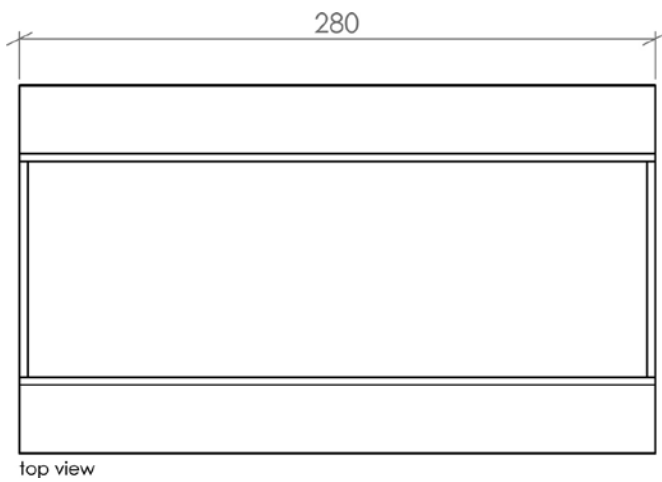
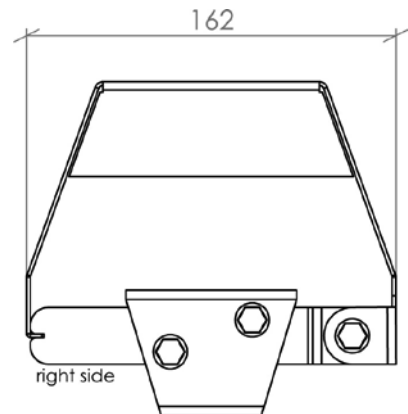
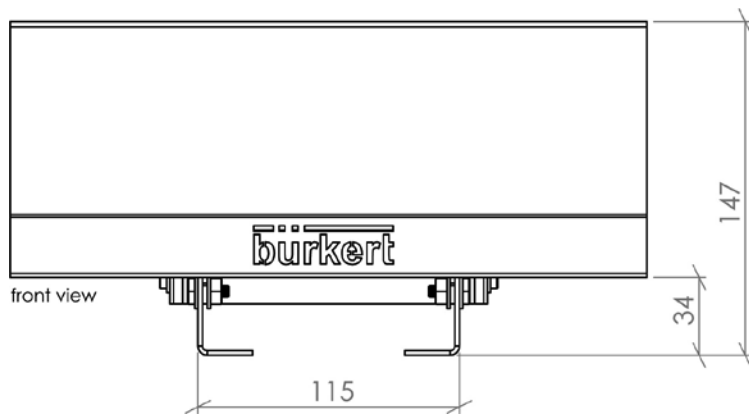
Technical data	
Material	Stainless steel throughout
Positions	Open and closed, hinged opening Locks into position
Mounting position	Ideally horizontal

Applications

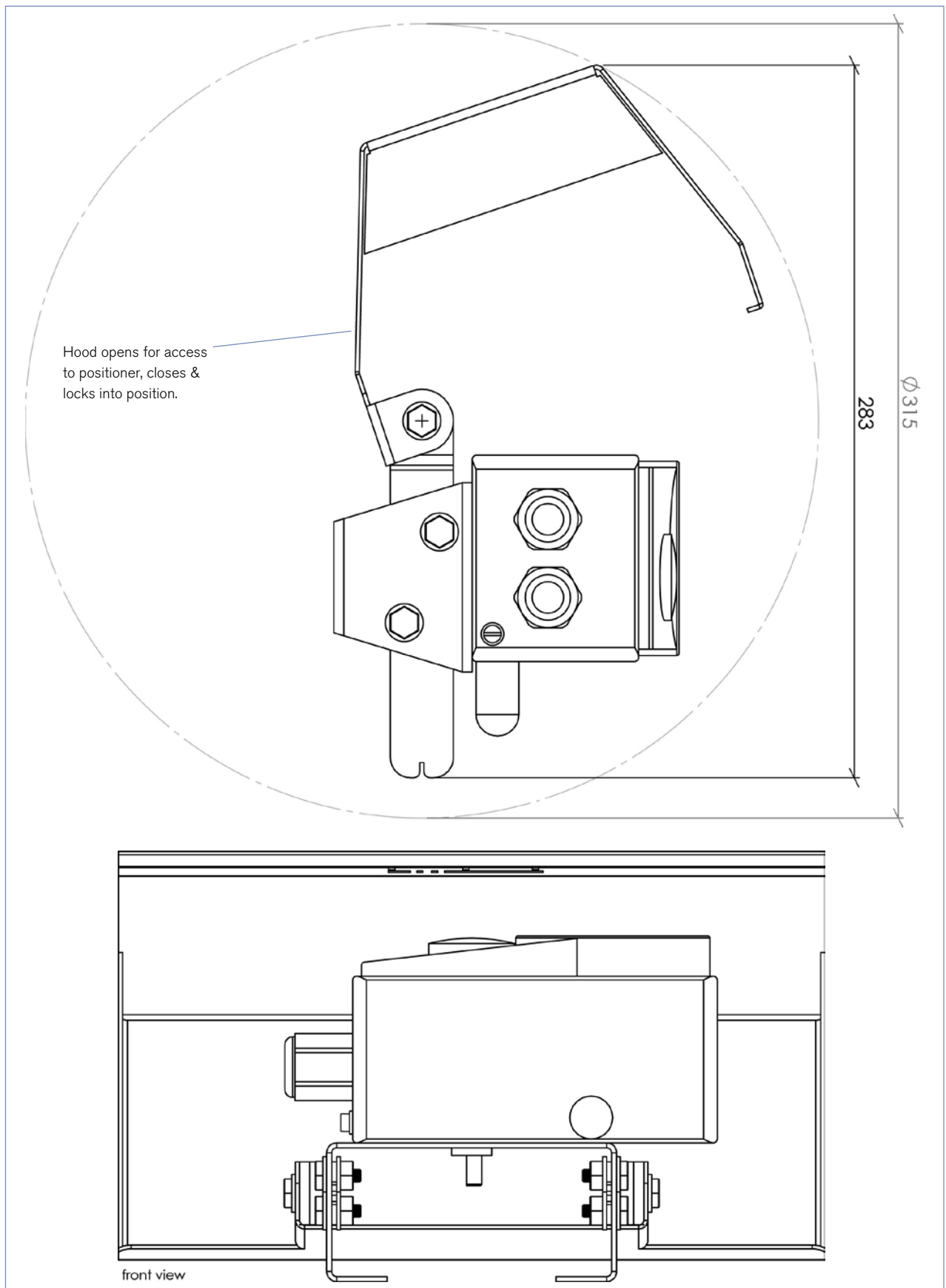
- Any field valving
- Water treatment systems
- Food & beverage systems

Dimensions, hood assembly with mounted positioner Type 879x

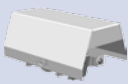
Stainless steel throughout



Dimensions, hood assembly with mounted positioner Type 879x



Ordering chart for hood (other versions on request)

		Item no.
	Protective hood for quarter turn valves, stainless steel	AU33834

i Further versions on request

Materials
Other hood materials available on request

Enclosures
Bürkert offers standardised and custom enclosures for difficult environments

Examples of assembled valve, positioner & protective hood



PVC butterfly valve with rotary vane actuator and 8792 positioner, with protective hood. Unit assembled for use in a water treatment plant running reagent into tanks.



Butterfly valve with stainless steel disk and rilsan coated pneumatic actuator and 8793 positioner + process controller; with protective hood. Unit assembled for use in an ancillary process in a dairy processing plant.



Stainless steel 3/2 way ball valve with rilsan coated pneumatic actuator and 8792 positioner; plus protective hood. Unit assembled for use in an outdoor heat exchange system.



Bürkert's digital positioners are IP65/67. So why use a protective hood?

No matter how rugged a device is, strong sunlight and weathering such as we experience locally will tell over time. The hood is a simple and cost effective way of ensuring you maximise the service life of your digital positioners.