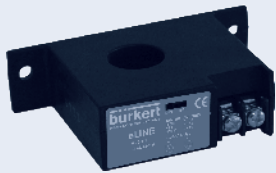


AC Current Transmitter 2-Wire



Type A200
Closed Hole



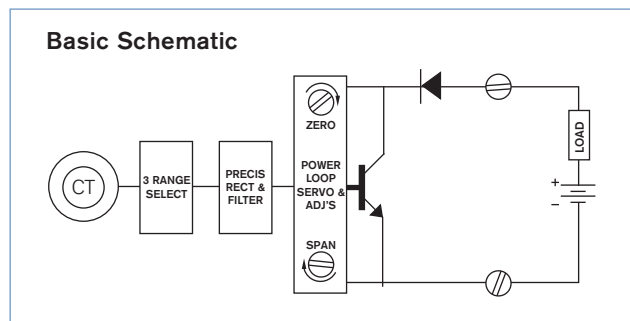
Type SC200
Split Core

- Loop powered
- Transmitter built into CT (integral CT)
- Jumper selectable ranges
- Top mounted terminals

To monitor AC currents, producing a highly accurate 4 .. 20mA analogue output. Utilising this output changing process variables may be monitored for out of limit conditions or end of process with alarming.

Ideal for use in conjunction with SCADA and DCS systems.

Technical data			
Type	Closed Hole ϕ 19mm	A200-1	A200-2
	Split Core 21mm ²	SC200-1	SC200-2
Output	4-20mA		
Ranges	Low	0-10 amp	0-100 amp
	Medium	0-20 amp	0-150 amp
	High	0-50 amp	0-200 amp
Maximum Current		200 A (cont)	1200 A (15 sec)
Accuracy		+/- 0.5%	Full Scale
Response Time	< 300 ms		
Connection	Screw Terminal		
Through Hole	21mm Square		
Certification	CE		
Operating Temperature Range	-10 to +70C		
Power Supply	10 to 40 VDC (Loop)		

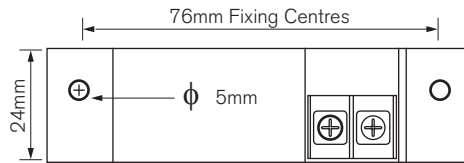


Applications

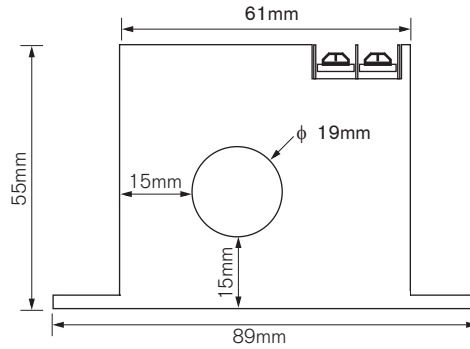
- Monitoring filling & pumping operations
- Monitoring changing process variables
- Analysis with SCADA and DCS systems

> Dimensions A200

Top View:



Side View:

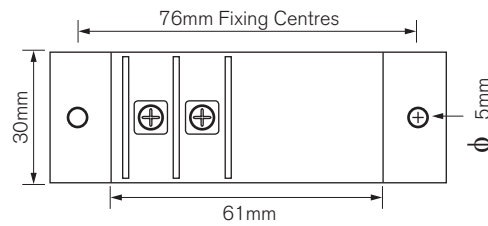


Closed Hole Version A200

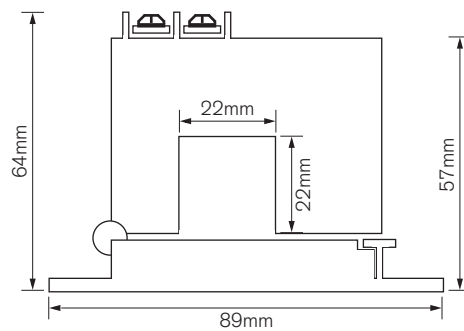
Preferentially used when cable is less than 19mm diameter

> Dimensions SC200

Top View:



Side View:



Split Core Version SC200

Used when cable is too thick for the closed hole version A200, above. Unit opens & closes with simple click-lock.