

AC Current Switches Self Powered



Type D100C
Closed Hole



Type D100C-SC
Split Core

- Suits most applications
- Smart LED indicator
- Integral CT
- Top mounted terminals

Monitors AC currents up to 150 Amps directly, with an accurate solid-state switch output. Ideal for monitoring underload, normal load and overload conditions (depending on setup).

For underload and overload, the load must be drawing that specific current while adjusting the sensor. Adjust the sensor to be open on underload (slow flashing), and to be closed on Normal or Overload conditions (fast flashing).

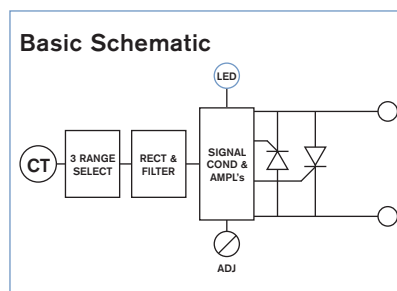
The Smart LED permits setting the sensor's trip point before system wiring is attached. Its three conditions are:

1. Fast Flashing: Power is on and the sensor has tripped
2. Slow Flashing: Power is on but the sensor is below its tripped point
3. No Flashing: Current is either below the bottom of the range or it is off.

Applications

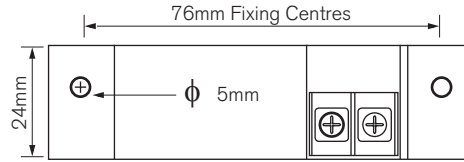
- Monitoring filling & pumping operations
- Detecting broken belts & couplings
- Changing process variables
- Monitoring lighting signals

Technical data		
Unit Type	D100C	D100C-SC
Version	Closed Hole ϕ 19mm	Split Core 21mm ²
Output	300mA 120VAC/DC	
Range	1 to 150 amp AC	1.5 to 150 amp AC
Adjustment	15 Turn Potentiometer	4 Turn Potentiometer
Maximum Current	300 A (6 sec) 900 A (1 sec)	
Repeatability	< 1% Full Scale	
Response Time	< 300 ms	
Connection	Screw Terminal	
Certification	CE	
Operating Temperature Range	-10 to +70C	
Power Supply	Not Required	

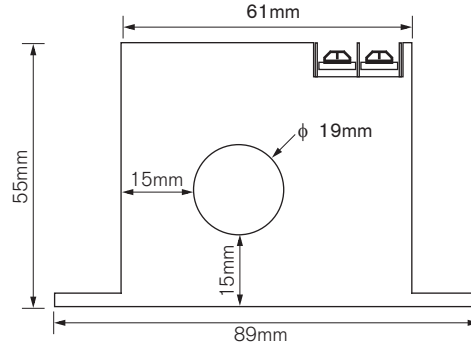


> Dimensions D100C

Top View:



Slide View:

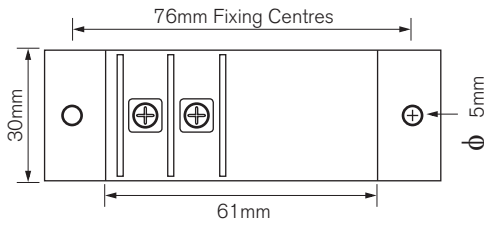


Closed Hole Version D100C

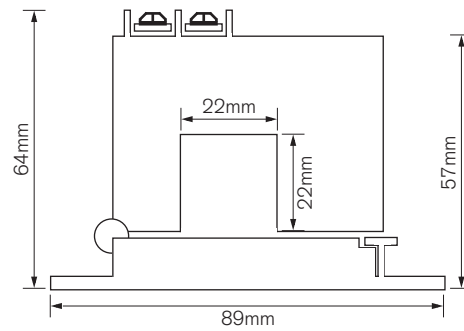
Preferentially used when cable is less than 19mm diameter

> Dimensions D100C-SC

Top View:



Slide View:



Split Core Version D100C-SC

Used when cable is too thick for the closed hole version A200, above. Unit opens & closes with simple click-lock.