



2/2-way Compact Diaphragm Valve, cast valve body, threaded port connection, G 1/4 - 3/4

- Hermetical separation of fluids from the actuator by diaphragm
- For contaminated, viscous or dirty fluids

Type 2031 Compact can be combined with...



Accessory 1062
Electrical position feedback



Accessory
Stroke limitation



Type 6012/6014P
Pilot valve



Type 8631
TopControl ON/OFF



Type 8640/8644
Valve block



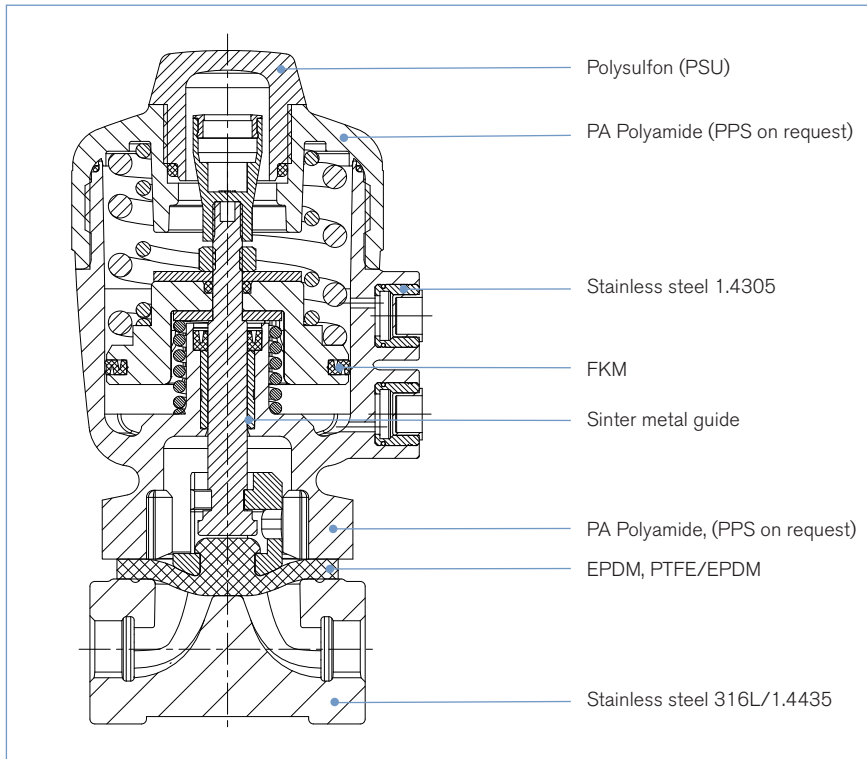
Type 8311
Pressure Sensor/Switch

The externally piloted diaphragm valve consists of a pneumatically operated piston actuator, a diaphragm and a 2-way valve housing made of investment cast stainless steel.

The standard material of the actuator is PA polyamide. With its favourable flow characteristics, the valve enables high flow capacities and a variety of applications for contaminated, viscous or dirty fluids to be realised.

Technical data	
Port connection	Threaded ports ISO 228, G 1/4 - 3/4
Orifice	DN 15-20
Body material	Cast stainless steel 316 L/1.4435
Actuator material	PA polyamide
Pilot air ports	Stainless steel 1.4305
Seal materials	EPDM, FKM, EPDM lined with PTFE
Medium	Neutral gases and liquids, sterile, aggressive or abrasive fluids
Viscosity	Up to viscous
Medium temperature	
EPDM	-5 to +130°C
FKM, EPDM lined with PTFE	Briefly up to +150°C for steam sterilisation -5 to +130°C
Ambient temperature	-5 to +60°C
Control medium	Neutral gases; air
Installation	As required, preferably with actuator in upright position

Materials



Ordering chart for valves (other versions on request)

Body with threaded port connection

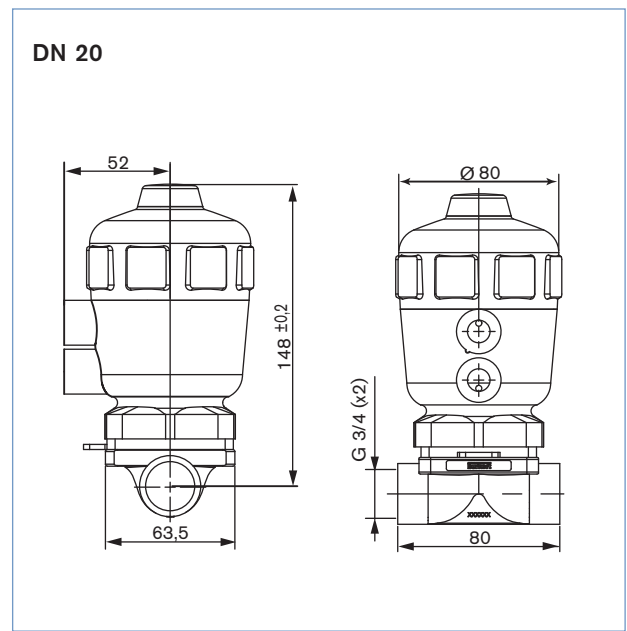
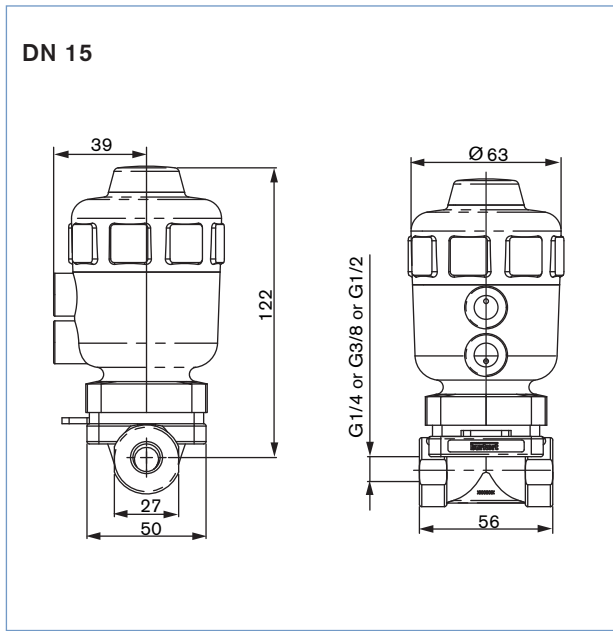
Control function	Orifice [mm]	Port connection [inch]	Kv-value water [m³/h]	Actuator size Ø [mm]	Pilot pressure [bar]		Max. operating pressure [bar]	Item no.
					min.	max.		
A 2/2-way, normally closed (NC) 	EPDM seal							
	15	G 1/4"	4.0	D-50	5.0	10	8.5	445 417
	15	G 3/8"	4.0	D-50	5.0	10	8.5	445 418
	15	G 1/2"	4.0	D-50	5.0	10	8.5	445 419
	20	G 3/4"	7.0	E-63	5.5	10	10.0	558 712
	FKM seal							
	15	G 1/4"	4.0	D-50	5.0	10	8.5	445 420
	15	G 3/8"	4.0	D-50	5.0	10	8.5	445 421
	15	G 1/2"	4.0	D-50	5.0	10	8.5	445 422
	20	G 3/4"	7.0	E-63	5.5	10	10.0	558 714
	EPDM lined with PTFE seal							
	15	G 1/4"	4.0	D-50	7.0	10	8.5	442 835
	15	G 3/8"	4.0	D-50	7.0	10	8.5	444 148
	15	G 1/2"	4.0	D-50	7.0	10	8.5	442 834
	20	G 3/4"	7.0	E-63	8.5	10	10.0	558 713

i Further versions on request

ME Control function
Normally open or double-acting

DTS 1000113799 EN Version: A Status: RL (released | freigegeben | validé) printed: 03.12.2008

Dimensions [mm]



DTS 1000113799 EN Version: A Status: RL (released | freigegeben | validé) printed: 03.12.2008

To find your nearest Bürkert facility, click on the orange box →

www.burkert.com

In case of special application conditions, please consult for advice.

We reserve the right to make technical changes without notice.

0812/2_EU-en_00895110